

The Home Defender is UL-listed (UL 448B) specifically for residential fire pump service.

With a flow range from 30-60 GPM and a pressure range from 30-55 PSI, the Home Defender is designed to boost water pressure for automatic residential sprinkler systems.

The system is complete and ready for easy installation with the pump, motor, control panel, discharge isolation valve, check valve, test inspection and pressure gauge all pre-assembled. The unit comes pre-wired, pre-piped and pre-tested. The close-coupled end suction pump features stainless steel construction.



13D Home Defender™

UL-LISTED RESIDENTIAL FIRE PUMP FOR ONE OR TWO FAMILY HOMES

System Features:

- Automatic start on pressure drop
- Automatic stop on pressure restoration
- 316L stainless steel wetted parts make this pump suitable for fire and domestic water service
- Running period timer adjustable up to 5 minutes prevents the unit from oscillating on and off
- Option for flow switch
- Discharge isolation valve
- Discharge pressure gauge
- Check valve in discharge piping
- Drain and test valve connection
- Casing relief valve to prevent overheating
- Contacts for local and remote alarm for pump running or water flow
- 1.5, 2, 3 or 5 HP single phase 220 volt service
- Performance and hydrostatic test on every unit
- Control panel tested to UL 508A and CSA 22.2 #14 Standards by Canadian Standards Association
- Optional storage tank required where stored water is the sole source of supply

NOTE: This product is not intended for potable water applications.

Sample Specification: 13D Home Defender Series Residential Fire Pump

Contractor shall furnish and install an A-C 13D residential fire pump that is UL 448B listed for residential fire pump service. The pump shall be close coupled end suction with 316L stainless steel wetted parts.

The pump shall be rated for ___ GPM with a rated discharge pressure of ___ PSI while operating at 3550 RPM. The motor shall be ___ HP single phase, 220 volt of the 56J shaft design, ODP enclosure with a 1.15 minimum service factor.

The control shall be tested to UL 508A standards. The enclosure shall be Nema 1 design with run period timer, and local and remote alarm contacts.

The system shall be pre-assembled at the pump manufacturer's facility on a common mounting support with a discharge control valve, discharge gauge, check valve, inspection & test connection, casing relief valve and pressure switch. The pump shall be performance and hydrostatically tested in accordance with UL 448B prior to shipment.

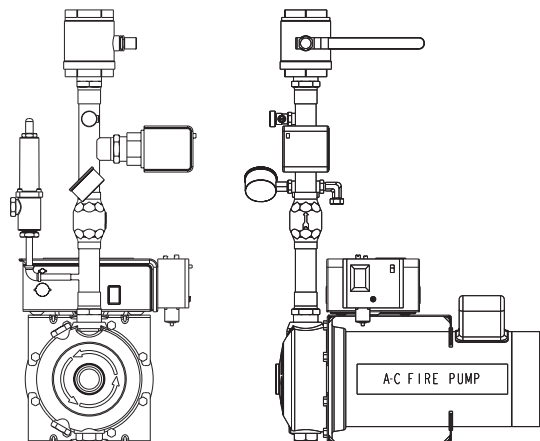


Selection Chart:

Pump Size	RPM	Flow GPM	PSI	Impeller Size	HP	Ordering Code
2ST	3500	30	30	4-5/8	1-1/2	FG-13DFP0DF3A0
			35	4-7/8	2	FG-13DFP0CG3B0
			40	5-1/16	3	FG-13DFP0BH3C0
			45	5-1/4	3	FG-13DFP0AH3D0
			50	5-1/2	5	FG-13DFP0HJ3E0
		40	30	4-5/8	1-1/2	FG-13DFP0DF4A0
			35	4-7/8	2	FG-13DFP0CG4B0
			40	5-1/16	3	FG-13DFP0BH4C0
			45	5-1/4	3	FG-13DFP0AH4D0
			50	5-1/2	5	FG-13DFP0HJ4E0
		50	30	4-5/8	1-1/2	FG-13DFP0DF5A0
			35	4-7/8	2	FG-13DFP0CG5B0
			40	5-1/16	3	FG-13DFP0BH5C0
			45	5-1/2	5	FG-13DFP0HJ5D0
			50	5-15/16	5	FG-13DFP0GJ5E0
		60	30	4-7/8	2	FG-13DFP0CG6A0
			35	5-1/16	3	FG-13DFP0BH6B0
			40	5-1/4	3	FG-13DFP0AH6C0
			45	5-1/2	5	FG-13DFP0HJ6D0
			50	5-15/16	5	FG-13DFP0GJ6E0

HP	Overall Dimensions	Suction	Discharge
1.5-3	18"L x 13"W x 29"H	1.5" FNPT	1.25" FNPT
5	19"L x 14"W x 30"H	1.5" FNPT	1.25" FNPT

All dimensions are in inches. All are approximate.



Xylem Inc.
8200 N. Austin Avenue
Morton Grove, Illinois 60053
Phone: (847) 966-3700
Fax: (847) 965-8379
www.acfirepump.com

Xylem Inc.
55 Royal Road, Guelph, Ontario
N1H 1T1, Canada
Phone: (519) 821-1900
Fax: (519) 821-5316