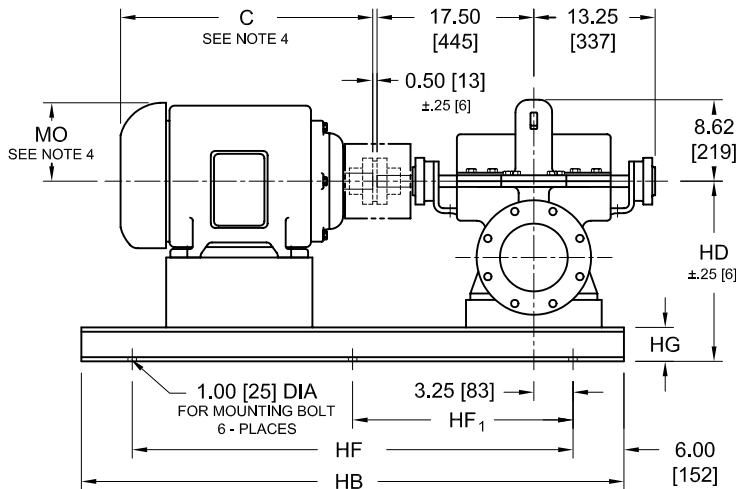
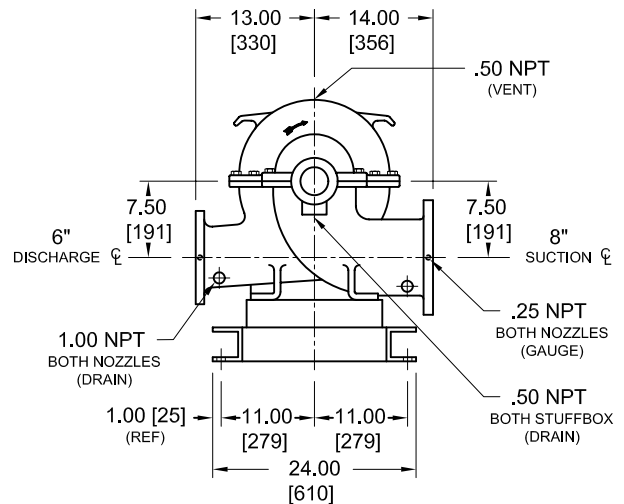


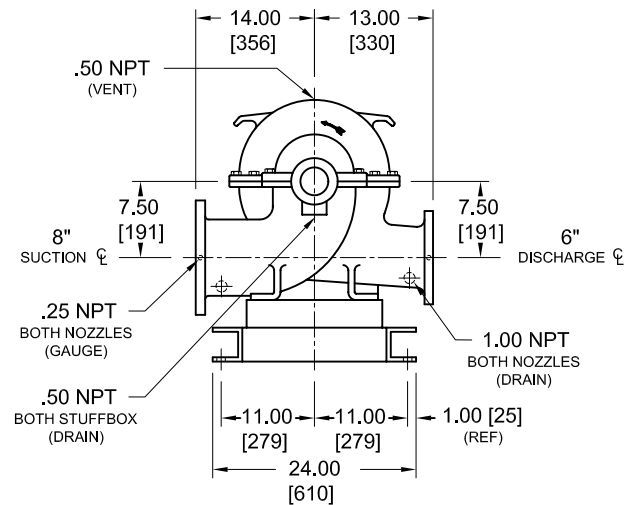
(H)8x6x9F – 8100 SERIES



MOTOR FRAME	C	MO	HB	HF	HF ₁	HD	HG
324	28.20 [717]	8.60	58.00	46.00	23.00	19.25	4.00
326	29.70 [755]	[219]	[1474]	[1169]	[585]	[489]	[102]
364	30.00 [762]	9.20					
365	31.00 [788]	[234]					
404	36.40 [925]	10.40	68.00	56.00	28.00		
405	37.90 [963]	[265]	[1728]	[1423]	[712]		
444	42.20 [1072]	11.80					
445	44.20 [1123]	[300]					



CW ROTATION VIEWED FROM COUPLING END



CCW ROTATION VIEWED FROM COUPLING END

NOTES:

- ALL DIMENSIONS ARE INCHES [mm].
- SUCTION AND DISCHARGE CONNECTIONS ARE DRILLED PER 125# ANSI B16.1. PUMPS WITH "H" PREFIX HAVE DISCHARGE CONNECTION DRILLED PER 250# ANSI B16.1. FLANGE HOLES STRADDLE CENTERLINE.
- BASE PLATE SETTING (BEFORE PIPING), GROUTING PROCEDURES, AND FINAL ALIGNMENT MUST BE IN ACCORDANCE WITH A-C FIRE PUMPS SYSTEMS RECOMMENDED PROCEDURES OUTLINED IN THE INSTRUCTION MANUAL ASSOCIATED WITH THIS PUMP TYPE.
- MOTOR DIMENSIONS ARE APPROXIMATE FOR A GIVEN NEMA FRAME. CONSULT FACTORY IF SPACE IS LIMITED.
- BOTH SUCTION AND DISCHARGE PIPES MUST BE SUPPORTED INDEPENDENTLY NEAR THE PUMP TO REDUCE STRAIN ON THE PUMP CASING. ALSO EXPANSION JOINTS, IF USED, MUST NOT EXERT FORCE ON CASING.
- COUPLING GUARD MEETS ANSI/OSHA REQUIREMENTS.
- CONSULT FACTORY FOR BASE MOUNTED CONTROLLER.

NOT FOR CONSTRUCTION, INSTALLATION OR APPLICATION PURPOSES UNLESS CERTIFIED										
CERTIFIED FOR:							APPROVAL	UL	FM	ULC
							<input type="checkbox"/>	<input type="checkbox"/>	<input type="checkbox"/>	
CUSTOMER ORDER NO.:				TAG NO.			FLANGES			
PUMP DATA	SIZE	MODEL	CURVE NO.	GPM	HEAD	ROTATION	SUCTION	DISCH.		
MOTOR DATA	HP	RPM	VOLTS	PHASE	HERTZ	FRAME SIZE	ENCLOSURE			
SHOP ORDER:			CERTIFIED BY:				DATE:			