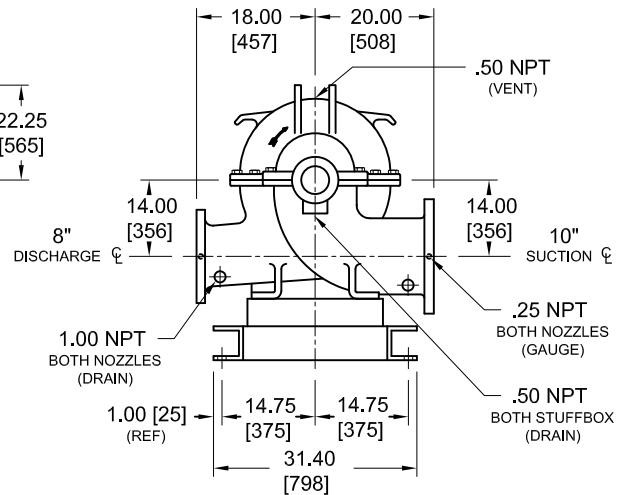
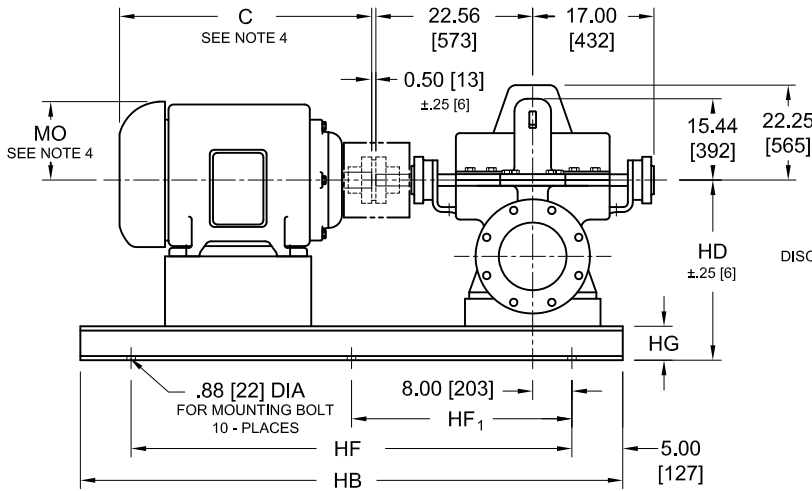


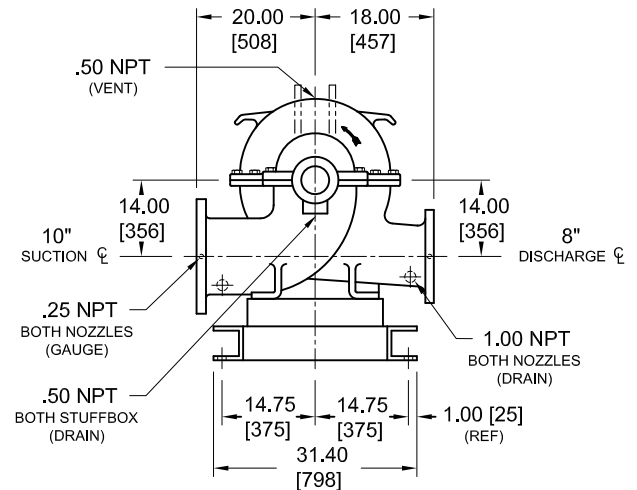
Supersedes all previous issues

**(H)10x8x20F - 8100 SERIES**



**CW ROTATION VIEWED FROM COUPLING END**

MOTOR FRAME	C	MO	HB	HF	HF <sub>1</sub>	HD	HG
404	36.40 [925]	10.40	76.00	66.00	16.50	29.25	6.00
405	37.90 [963]	[265]	[1930]	[1676]	[419]	[743]	[153]
444	42.20 [1072]	11.80					
445	44.20 [1123]	[300]					
447	47.60 [1210]		86.00	76.00	19.00		
			[2185]	[1930]	[483]		
449	52.6 [1337]	12.10					
		[308]					



**CCW ROTATION VIEWED FROM COUPLING END**

**NOTES :**

1. ALL DIMENSIONS ARE INCHES [mm].
2. SUCTION AND DISCHARGE CONNECTIONS ARE DRILLED PER 125# ANSI B16.1. PUMPS WITH "H" PREFIX HAVE DISCHARGE CONNECTION DRILLED PER 250# ANSI B16.1. FLANGE HOLES STRADDLE CENTERLINE.
3. BASE PLATE SETTING (BEFORE PIPING), GROUTING PROCEDURES, AND FINAL ALIGNMENT MUST BE IN ACCORDANCE WITH A-C FIRE PUMPS SYSTEMS RECOMMENDED PROCEDURES OUTLINED IN THE INSTRUCTION MANUAL ASSOCIATED WITH THIS PUMP TYPE.
4. MOTOR DIMENSIONS ARE APPROXIMATE FOR A GIVEN NEMA FRAME. CONSULT FACTORY IF SPACE IS LIMITED.
5. BOTH SUCTION AND DISCHARGE PIPES MUST BE SUPPORTED INDEPENDENTLY NEAR THE PUMP TO REDUCE STRAIN ON THE PUMP CASING. ALSO EXPANSION JOINTS, IF USED, MUST NOT EXERT FORCE ON CASING.
6. COUPLING GUARD MEETS ANSI/OSHA REQUIREMENTS.
7. CONSULT FACTORY FOR BASE MOUNTED CONTROLLER.

NOT FOR CONSTRUCTION, INSTALLATION OR APPLICATION PURPOSES UNLESS CERTIFIED									
CERTIFIED FOR:							APPROVAL		
							UL	FM	ULC
							<input type="checkbox"/>	<input type="checkbox"/>	<input type="checkbox"/>
CUSTOMER ORDER NO.:			TAG NO.			FLANGES			
PUMP DATA	SIZE	MODEL	CURVE NO.	GPM	HEAD	ROTATION	SUCTION	DISCH.	
MOTOR DATA	HP	RPM	VOLTS	PHASE	HERTZ	FRAME SIZE	ENCLOSURE		
SHOP ORDER:			CERTIFIED BY:			DATE:			