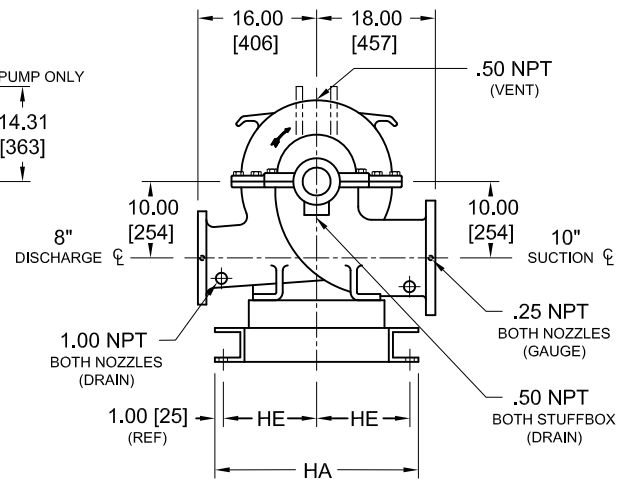
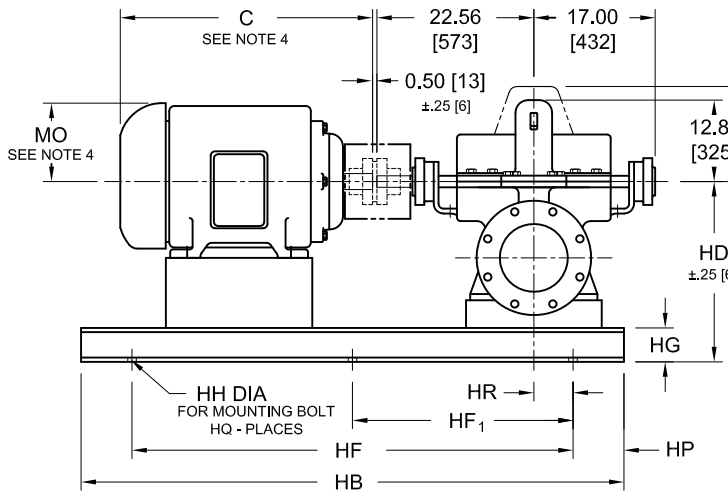


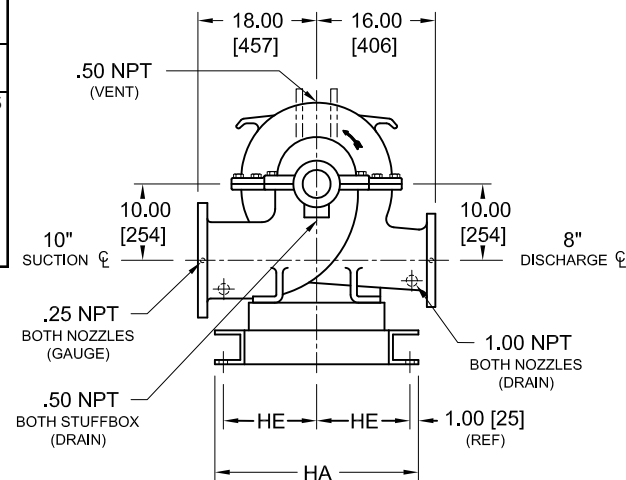
Supersedes all previous issues

(H)10x8x17F - 8100 SERIES



CW ROTATION VIEWED FROM COUPLING END

| MOTOR FRAME | C | MO | HA | HB | HE | HF | HF1 | HG | HH | HP | HR | HQ | HD |
|-------------|--------------|-------|-------|--------|-------|--------|-------|-------|------|-------|-------|----|-------|
| 364 | 30.00 [762] | 9.20 | 24.00 | 66.00 | 11.00 | 54.00 | 27.00 | 4.00 | 1.00 | 6.00 | 7.00 | 6 | 23.25 |
| 365 | 31.00 [788] | [234] | [610] | [1677] | [280] | [1372] | [686] | [102] | [25] | [152] | [178] | | [591] |
| 404 | 36.40 [925] | 10.40 | 29.40 | 76.00 | 13.75 | 66.00 | 16.50 | 6.00 | 0.88 | 5.00 | 8.00 | 10 | 25.25 |
| 405 | 37.90 [963] | [265] | [747] | [1931] | [350] | [1676] | [419] | [153] | [22] | [127] | [203] | | [642] |
| 444 | 42.20 [1072] | 11.80 | | | | | | | | | | | |
| 445 | 44.20 [1123] | [300] | | | | | | | | | | | |
| 447 | 47.60 [1210] | | | 86.00 | | 76.00 | 19.00 | | | | | | |
| | | | | [2185] | | [1930] | [483] | | | | | | |
| 449 | 52.6 [1337] | 12.10 | | | | | | | | | | | |
| | | [308] | | | | | | | | | | | |



CCW ROTATION VIEWED FROM COUPLING END

NOTES :

- ALL DIMENSIONS ARE INCHES [mm].
- SUCTION AND DISCHARGE CONNECTIONS ARE DRILLED PER 125# ANSI B16.1. PUMPS WITH "H" PREFIX HAVE DISCHARGE CONNECTION DRILLED PER 250# ANSI B16.1. FLANGE HOLES STRADDLE CENTERLINE.
- BASE PLATE SETTING (BEFORE PIPING), GROUTING PROCEDURES, AND FINAL ALIGNMENT MUST BE IN ACCORDANCE WITH A-C FIRE PUMPS SYSTEMS RECOMMENDED PROCEDURES OUTLINED IN THE INSTRUCTION MANUAL ASSOCIATED WITH THIS PUMP TYPE.
- MOTOR DIMENSIONS ARE APPROXIMATE FOR A GIVEN NEMA FRAME. CONSULT FACTORY IF SPACE IS LIMITED.
- BOTH SUCTION AND DISCHARGE PIPES MUST BE SUPPORTED INDEPENDENTLY NEAR THE PUMP TO REDUCE STRAIN ON THE PUMP CASING. ALSO EXPANSION JOINTS, IF USED, MUST NOT EXERT FORCE ON CASING.
- COUPLING GUARD MEETS ANSI/OSHA REQUIREMENTS.
- CONSULT FACTORY FOR BASE MOUNTED CONTROLLER.

NOT FOR CONSTRUCTION, INSTALLATION OR APPLICATION PURPOSES UNLESS CERTIFIED

| | | | | | | | | | |
|---------------------|------|---------------|-----------|---------|--------------------------|--------------------------|--------------------------|--------|--|
| CERTIFIED FOR: | | APPROVAL | | | UL | FM | ULC | | |
| | | | | | <input type="checkbox"/> | <input type="checkbox"/> | <input type="checkbox"/> | | |
| CUSTOMER ORDER NO.: | | | | TAG NO. | | | FLANGES | | |
| PUMP DATA | SIZE | MODEL | CURVE NO. | GPM | HEAD | ROTATION | SUCTION | DISCH. | |
| | | | | | | | | | |
| MOTOR DATA | HP | RPM | VOLTS | PHASE | HERTZ | FRAME SIZE | ENCLOSURE | | |
| | | | | | | | | | |
| SHOP ORDER: | | CERTIFIED BY: | | | | DATE: | | | |