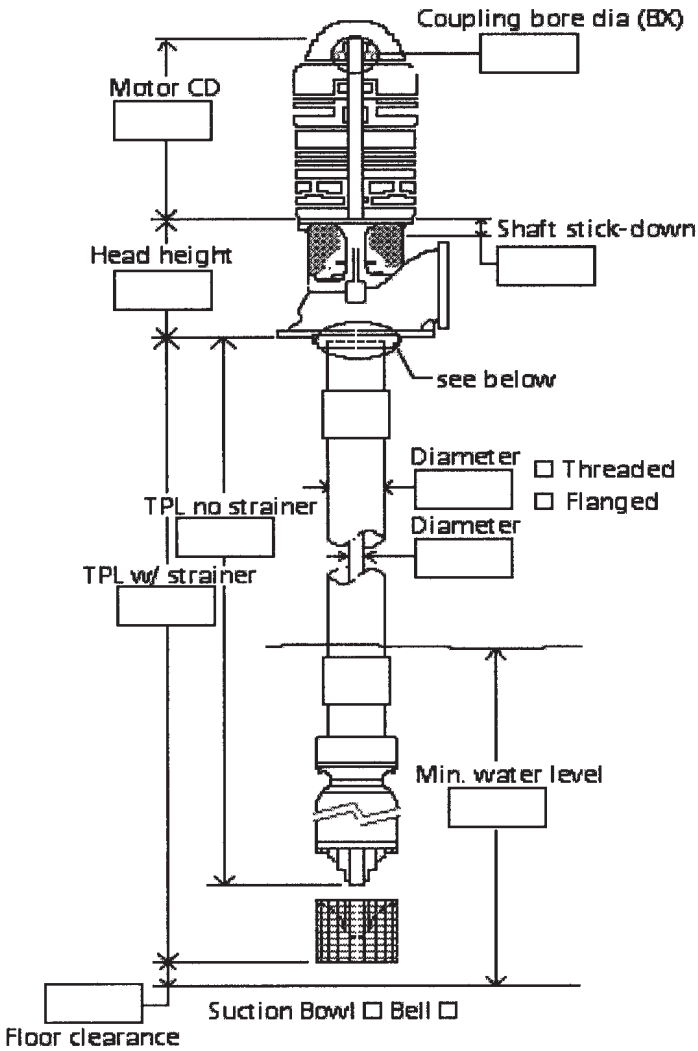


Retrofit Order Form

PRODUCT LUBRICATED - THREADED OR FLANGED COLUMN - HOLLOW SHAFT MOTOR



Company: _____

Contact: _____

Phone: _____

Fax: _____

No. of Units _____

Orig. Pump Mfg. _____

Pump Model _____ Stg.'s _____

Motor HP _____ RPM _____

HYDRAULICS

GPM _____ TDH _____

Sp. Gr. _____ Temp. _____

Liquid _____ NPSHa _____

Orig. Bowl Eff. _____

A retrofit is defined as the replacement of everything below the discharge head.

For enclosed lineshaft retrofit applications, please contact factory.

Comments:

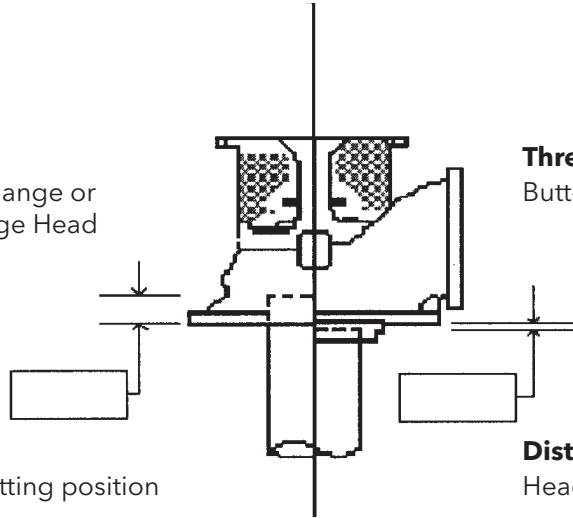
Retrofit Order Form

Threaded Connection

Through-Style Column Flange or
Direct Thread to Discharge Head

Threaded Connection

Butt-Style Column Flange



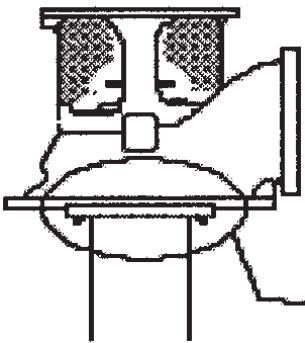
Distance

Head base to column butting position

Distance

Head base to column butting position

Flanged Connection - Critical Mounting Flange Dimensions



____ holes, ____ diameter, on a ____ diameter B.C.

Flange OD = _____

Register OD = _____

Register Ht = _____

Xylem Inc.

www.xylem.com/brands/gouldswatertechnology

Goulds is a registered trademark of Goulds Pumps, Inc. and is used under license.

© 2012 Xylem Inc. DROF January 2009

