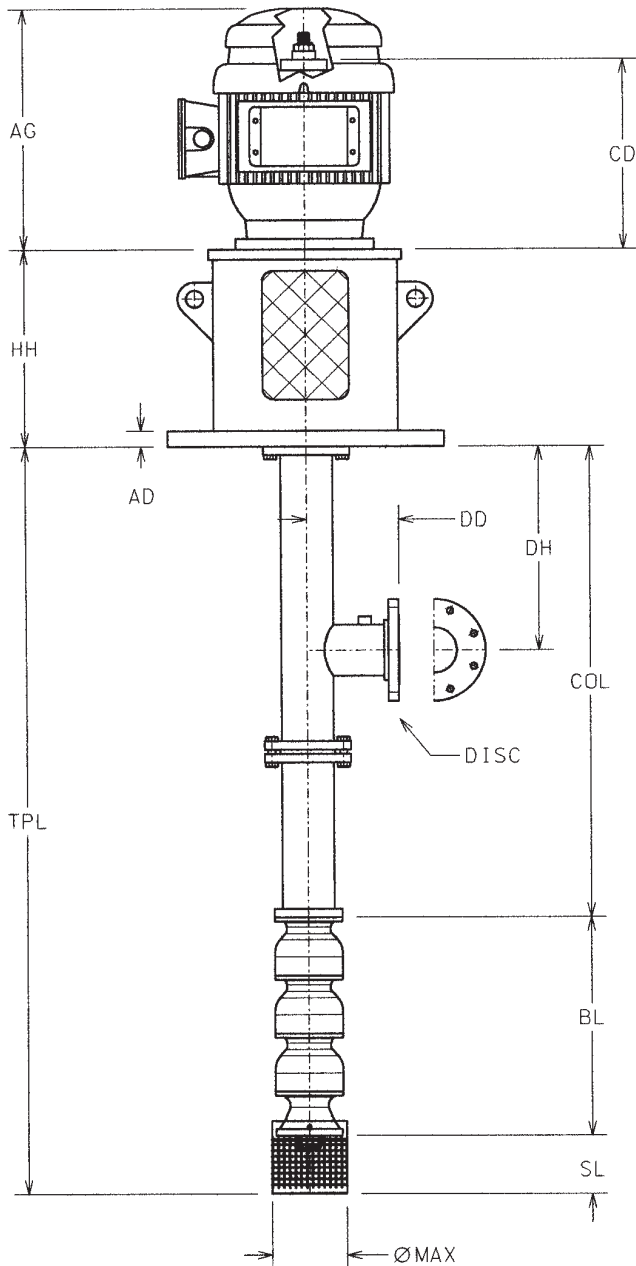
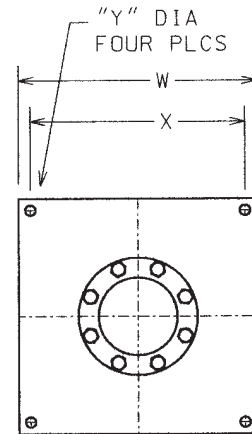


Outline Type "VIT-FUFM" 200.G.11

U/G DISCHARGE, FLANGED COLUMN



- | | |
|------------|-------------|
| AD: _____ | DISC: _____ |
| AG: _____ | HH: _____ |
| BD: _____ | MAX: _____ |
| BL: _____ | SL: _____ |
| CD: _____ | TPL: _____ |
| COL: _____ | W: _____ |
| DD: _____ | X: _____ |
| DH: _____ | Y: _____ |



Quote No.:	_____
Customer:	_____
Customer P/O:	_____
Project:	_____
Item:	_____
Date:	_____
Quantity:	_____
By:	_____

Xylem Inc.

www.xylem.com/brands/gouldswatertechnology

Goulds is a registered trademark of Goulds Pumps, Inc. and is used under license.

© 2012 Xylem Inc. D200G11 January 2009

