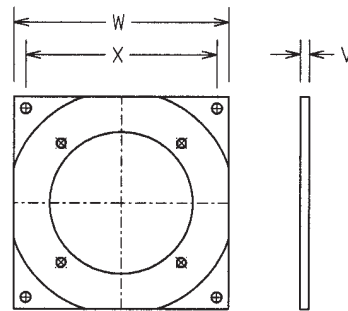
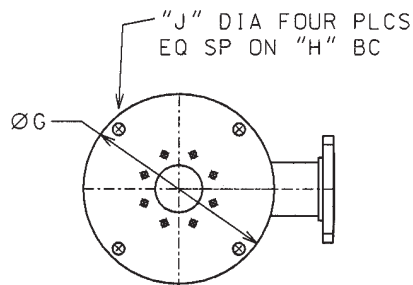
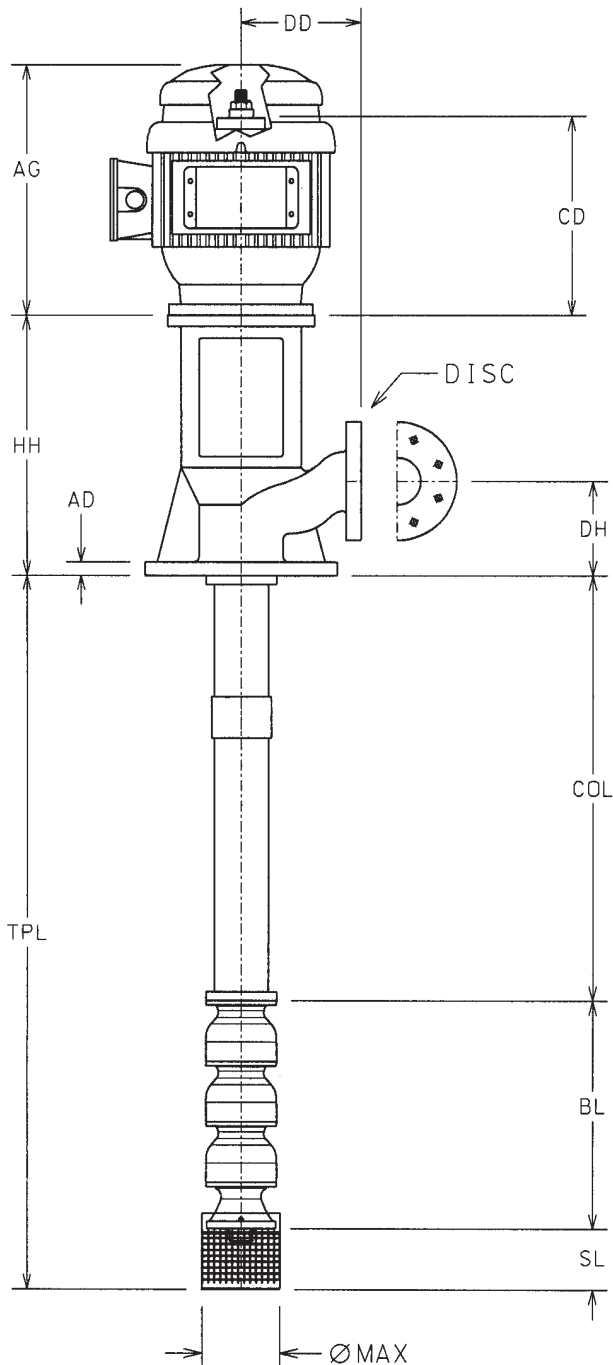


Outline Type "VIT-CFTM" 200.G.03

"F" CAST HEAD, THREADED COLUMN



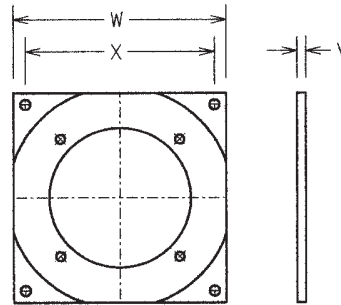
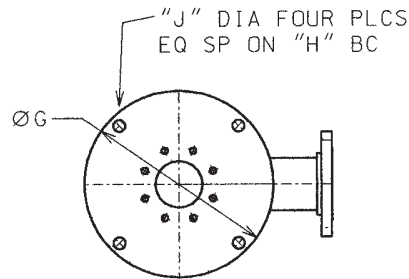
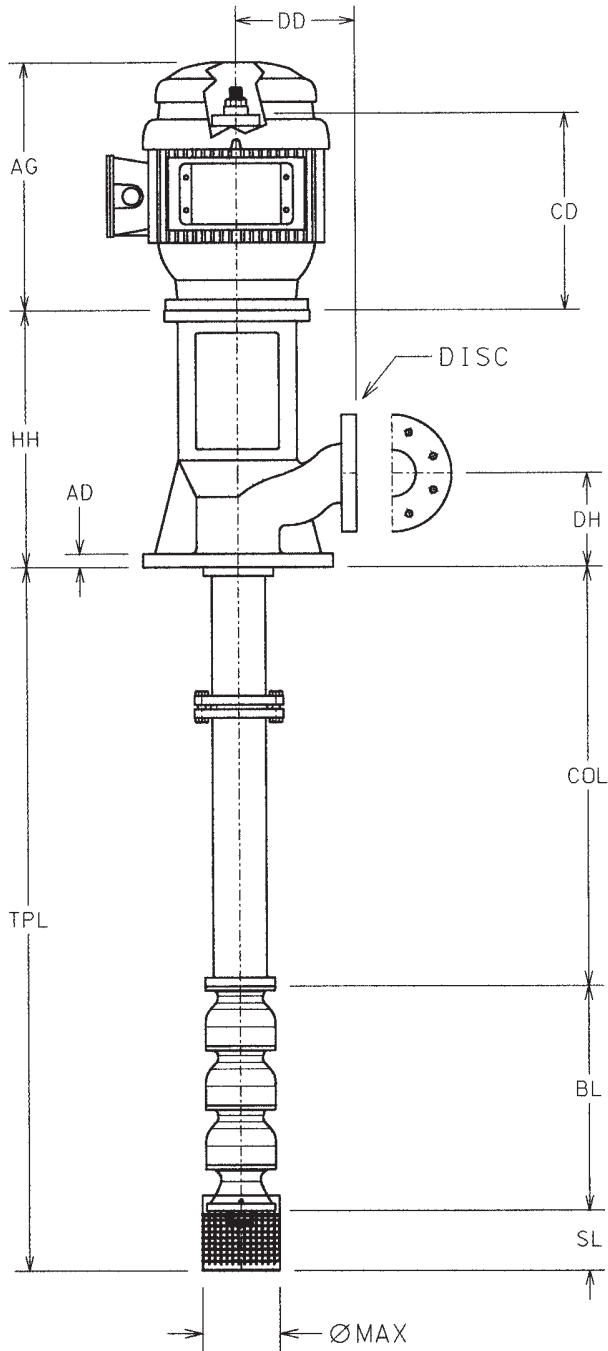
OPTIONAL SOLE PLATE

- AD: _____
- AG: _____
- BD: _____
- BL: _____
- CD: _____
- COL: _____
- DD: _____
- DH: _____
- DISC: _____
- G: _____
- H: _____
- HH: _____
- J: _____
- MAX: _____
- SL: _____
- TPL: _____
- V: _____
- W: _____
- X: _____
- Y: _____
- Z: _____

Quote No.:	_____
Customer:	_____
Customer P/O:	_____
Project:	_____
Item:	_____
Date:	_____
Quantity:	_____
By:	_____

Outline Type "VIT-CFFM" 200.G.04

"F" CAST HEAD, THREADED COLUMN



OPTIONAL SOLE PLATE

- AD: _____
- AG: _____
- BD: _____
- BL: _____
- CD: _____
- COL: _____
- DD: _____
- DH: _____
- DISC: _____
- G: _____
- H: _____
- HH: _____
- J: _____
- MAX: _____
- SL: _____
- TPL: _____
- V: _____
- W: _____
- X: _____
- Y: _____
- Z: _____

Quote No.:	_____
Customer:	_____
Customer P/O:	_____
Project:	_____
Item:	_____
Date:	_____
Quantity:	_____
By:	_____

Xylem Inc.
www.xylem.com/brands/gouldswatertechnology

Goulds is a registered trademark of Goulds Pumps, Inc. and is used under license.
© 2012 Xylem Inc. D200G03 January 2009

GOULDS
WATER TECHNOLOGY
a xylem brand