

# Steady Bushings for Vertical Hollowshaft Motors

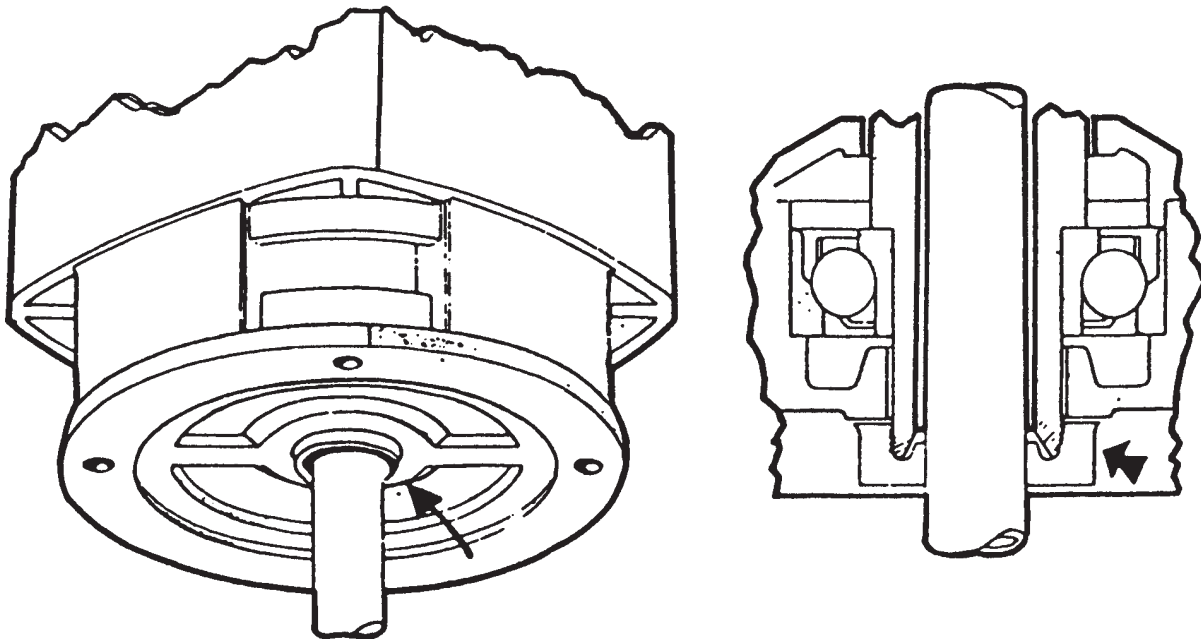
## 200.E.12

The motor manufacturers have as an optional price book addition a steady bushing for the hollowshaft motor.

This bushing stabilizes the pump manufacturer's drive shaft which runs through the hollowshaft driver.

The advantage of this option is appreciated when using a mechanical seal. The seal faces have a longer running life because shaft deflection is held at a minimum.

When the steady bushing is used on the hollowshaft motor, the advantages of the rigid solid shaft motor are obtained yet with the advantage of easy impeller adjustment and the readily available non-reverse coupling.



---

**Xylem Inc.**

[www.xylem.com/brands/gouldswatertechnology](http://www.xylem.com/brands/gouldswatertechnology)

Goulds is a registered trademark of Goulds Pumps, Inc. and is used under license.

© 2012 Xylem Inc. D200E12 January 2009

