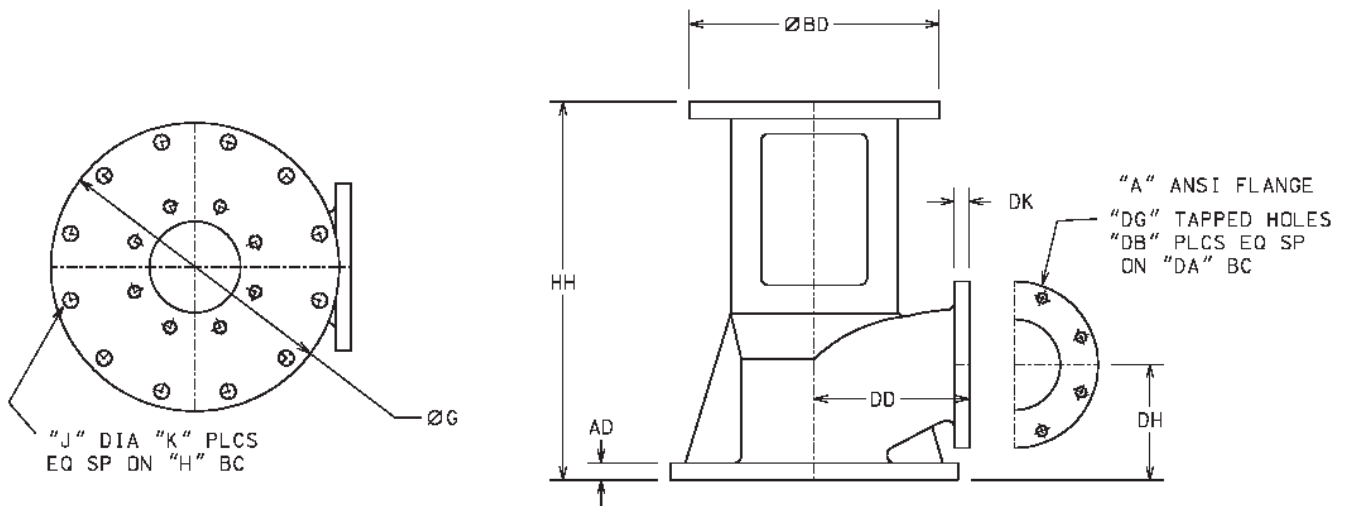


# Type "CL" Cast Discharge Head

## 200.C.03



A	CAN	BD	AD	DH	G	H	J	K	HH
3"	8"	10	1.19	7.00	13.50	11.75	0.88	8	22.00
3"	10"	10	1.19	7.00	16.00	14.25	1.00	12	22.00
4"	10"	12	1.19	7.00	16.00	14.25	1.00	12	22.00
4"	12"	12	1.19	7.00	19.00	17.00	1.00	12	22.00
6"	12"	16.5	1.19	7.63	19.00	17.00	1.00	12	25.00
8"	14"	16.5	1.19	8.75	21.00	18.75	1.12	12	26.00
10"	18"	16.5	1.37	10.56	25.00	22.75	1.25	16	28.25

### 125#

A	DD	DG	DB	DA	DK
3"	6.50	0.62	4	6.00	1.00
4"	10.00	0.62	8	7.50	1.00
6"	10.25	0.75	8	9.50	1.00
8"	11.50	0.75	8	11.75	1.12
10"	14.00	0.88	12	14.25	1.19

### 250#

A	DD	DG	DB	DA	DK
3"	6.50	0.75	8	6.63	1.00
4"	10.00	0.75	8	7.88	1.00
6"	10.69	0.75	12	10.63	1.44
8"	12.00	0.88	12	13.00	1.63
10"	14.69	1.00	16	15.25	1.88

Reducing flange available on request.

---

**Xylem Inc.**

[www.xylem.com/brands/gouldswatertechnology](http://www.xylem.com/brands/gouldswatertechnology)

Goulds is a registered trademark of Goulds Pumps, Inc. and is used under license.

© 2012 Xylem Inc. D200C03 January 2009

