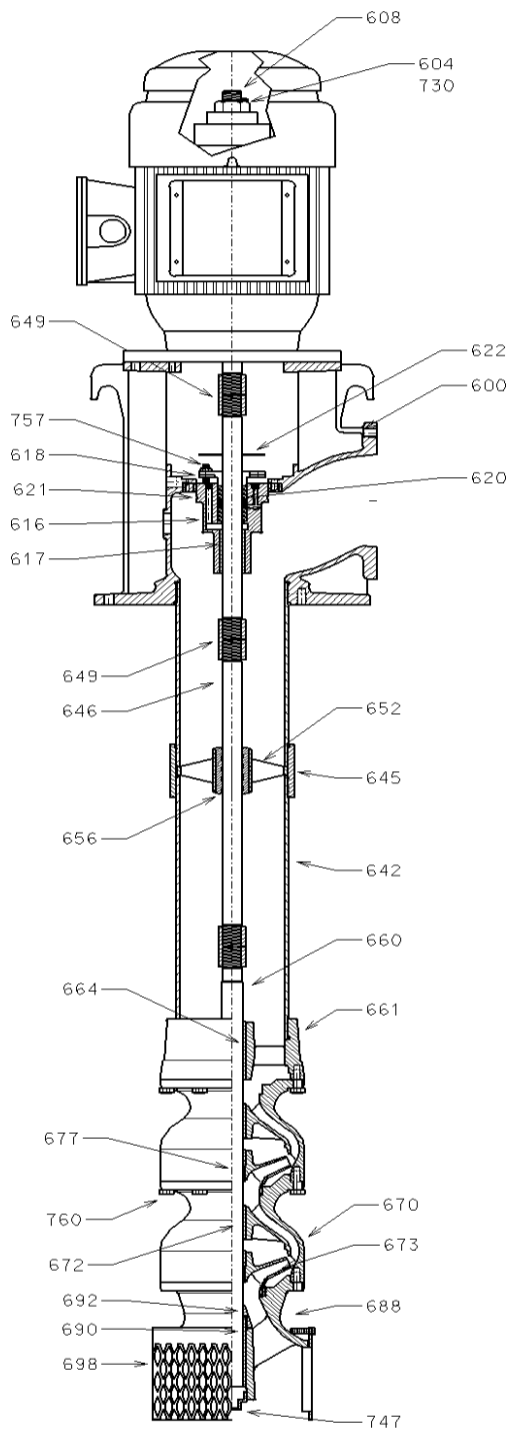


# Sectional Type "VIT-DITM"

## 200.H.01A

LINESHAFT, OLS, "DI" DUCTILE IRON HEAD, THREADED COLUMN, PACKING, VHS, THREADED COUPLING<sup>1,2</sup>



### DISCHARGE HEAD ASSEMBLY

Item	Description	Material Code	Material Description	ASTM
608	Headshaft	2227	SST 416	A582 S41600
604	Adjusting Nut	2242	Carbon Steel 1018	A108
730	Gib Key	2242	Carbon Steel 1018	A108
622	Slinger	5121	Rubber EPDM	D3568
600	Discharge Head	1018	Ductile Iron 65-45-12	A536
617	Stuffing Box Bearing	1618	Bismuth Bronze	B584 Modified
616	Stuffing Box	1003	Cast Iron CL 30	A48 CLASS 30B
779	Stuffing Box O-ring	5302	Nitrile Buna N	D4322
618	Split Gland	1203	SST 316	A744M
757	Gland Adjusting Screw	2229	SST 316	A276
620	Packing	5026	Graphite Packing	ML402-99

### COLUMN AND LINESHAFT ASSEMBLY

645	Column Coupling	6501	Black Pipe Sch 40	A53
642	Column Pipe	6501	Black Pipe Sch 40	A53
646	Lineshaft	2227	SST 416	A582 S41600
652	Bearing Retainer	1205	SST 304	A744M
656	Lineshaft Bearing	5121	Rubber EPDM	D3568
649	Lineshaft Coupling	2265	SST 416	A582M

### BOWL ASSEMBLY

660	Bowl Shaft	2227	SST 416	A582 S41600
661	Discharge Bowl	1003	Cast Iron CL 30	A48 CLASS 30B
664	Discharge Bearing	1618	Bismuth Bronze	B584 Modified
670	Intermediate Bowl	6911	Cast Iron CL 30 Enamel	A48
672	Inter Bowl Bearing	1618	Bismuth Bronze	B584 Modified
673	Impeller	1203	SST 316	A744M
677	Impeller Taper Lock	2242	Carbon Steel 1018	A108
680	Wear Rings (optional)	1128	Bronze, AL C95400	B148
760	Hex Bolt	2298	Steel Bolting GR 8	J429
692	Sand Collar	1205	SST 304	A744M
688	Suction Bowl / Bell	1003	Cast Iron CL 30	A48 CLASS 30B
690	Suction Bearing	1618	Bismuth Bronze	B584 Modified
698	Suction Strainer	6952	Carbon Steel Galv	A123M
747	Plug	1046	Malleable Iron	A197

Quote No.:	_____
Customer:	_____
Customer P/O:	_____
Project:	_____
Item:	_____ Quantity: _____
Pump Model:	_____ Stages: _____
Date:	_____ By: _____

Xylem Inc.  
[www.xylem.com/goulds](http://www.xylem.com/goulds)

Goulds is a registered trademark of Goulds Pumps, Inc. and is used under license.  
© 2021 Xylem Inc. D200H01A August 2021

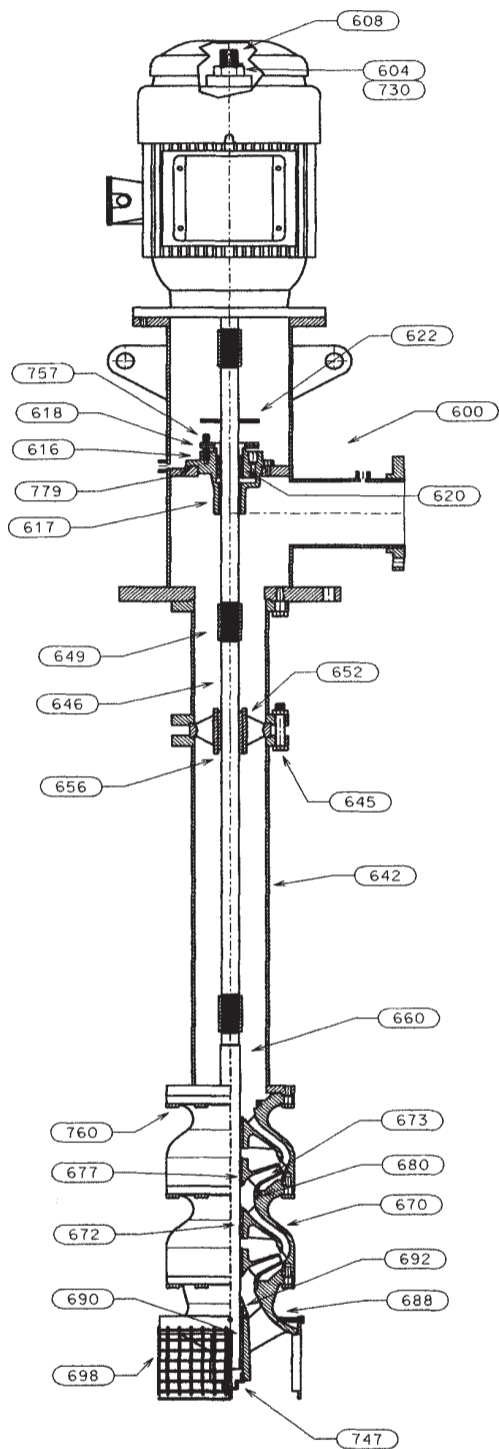
1: Pump Type, Lubrication Type, Discharge Head Type, Column Type, Seal Type, Motor Type, Motor Coupling Type

2: OLS = Open Lineshaft  
ELS = Enclosed Lineshaft  
VHS = Vertical Hollow Shaft Motor  
VSS = Vertical Solid Shaft Motor

# Sectional Type "VIT-FFFFM"

## 200.H.05

LINESHAFT, OLS, "F" FABRICATED HEAD, FLANGED COLUMN, PACKING, VHS, THREADED COUPLING<sup>1,2</sup>



### DISCHARGE HEAD ASSEMBLY

Item	Description	Material Code	Material Description	ASTM
608	Headshaft	2227	SST 416	A582 S41600
604	Adjusting Nut	2242	Carbon Steel 1018	A108
730	Gib Key	2242	Carbon Steel 1018	A108
622	Slinger	5121	Rubber EPDM	D3568
600	Discharge Head	9645	Carbon Steel Fab	A53
617	Stuffing Box Bearing	1618	Bismuth Bronze	B584 Modified
616	Stuffing Box	1003	Cast Iron CL 30	A48 CLASS 30B
779	Stuffing Box O-ring	5302	Nitrile Buna N	D4322
618	Split Gland	1203	SST 316	A744M
757	Gland Adjusting Screw	2229	SST 316	A276
620	Packing	5026	Graphite Packing	ML402-99

### COLUMN AND LINESHAFT ASSEMBLY

642	Column Pipe (FLG)	9645	Carbon Steel Fab	A53
645	Column Bolting	2298	Steel Bolting GR 8	J429
646	Lineshaft	2227	SST 416	A582 S41600
652	Bearing Retainer	1205	SST 304	A744M
656	Lineshaft Bearing	5121	Rubber EPDM	D3568
649	Lineshaft Coupling	2265	SST 416	A582M

### BOWL ASSEMBLY

660	Bowl Shaft	2227	SST 416	A582 S41600
670	Intermediate Bowl	6911	Cast Iron CL 30 Enamel	A48
672	Inter Bowl Bearing	1618	Bismuth Bronze	B584 Modified
673	Impeller	1203	SST 316	A744M
677	Impeller Taper Lock	2242	Carbon Steel 1018	A108
680	Wear Rings (optional)	1128	Bronze, AL C95400	B148
760	Hex Bolt	2298	Steel Bolting GR 8	J429
692	Sand Collar	1205	SST 304	A744M
688	Suction Bowl / Bell	1003	Cast Iron CL 30	A48 CLASS 30B
690	Suction Bearing	1618	Bismuth Bronze	B584 Modified
698	Suction Strainer	6952	Carbon Steel Galv	A123M
747	Plug	1046	Malleable Iron	A197

Quote No.: \_\_\_\_\_  
 Customer: \_\_\_\_\_  
 Customer P/O: \_\_\_\_\_  
 Project: \_\_\_\_\_  
 Item: \_\_\_\_\_ Quantity: \_\_\_\_\_  
 Pump Model: \_\_\_\_\_ Stages: \_\_\_\_\_  
 Date: \_\_\_\_\_ By: \_\_\_\_\_

Xylem Inc.  
www.xylem.com/goulds

Goulds is a registered trademark of Goulds Pumps, Inc. and is used under license.  
© 2021 Xylem Inc. D200H05 August 2021

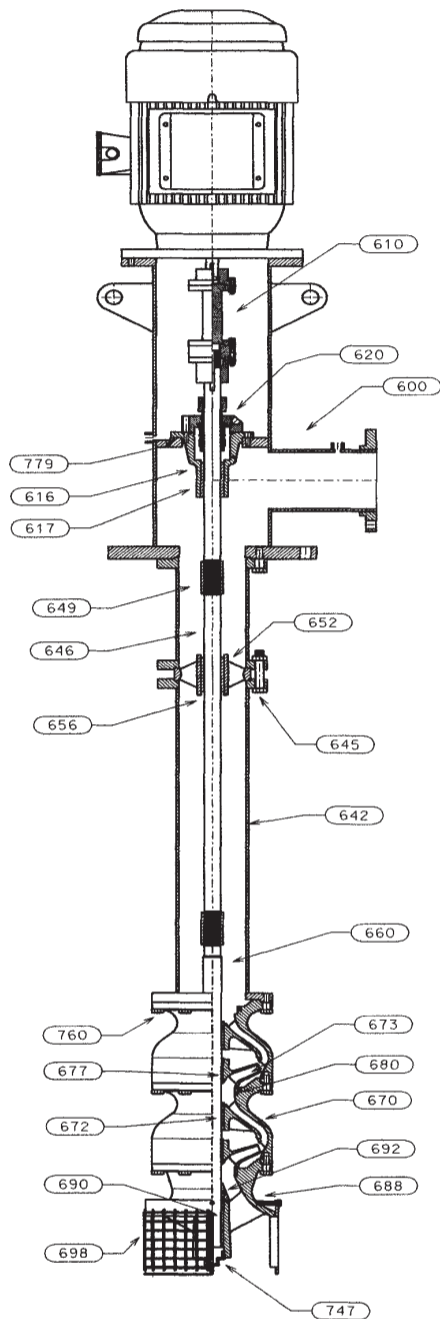
1: Pump Type, Lubrication Type, Discharge Head Type, Column Type, Seal Type, Motor Type, Motor Coupling Type

2: OLS = Open Lineshaft  
 ELS = Enclosed Lineshaft  
 VHS = Vertical Hollow Shaft Motor  
 VSS = Vertical Solid Shaft Motor

# Sectional Type "VIT-FFFFM"

## 200.H.06

LINESHAFT, OLS, "F" FABRICATED HEAD, FLANGED COLUMN, MECHANICAL SEAL, VSS, AS COUPLING<sup>1,2</sup>



### DISCHARGE HEAD ASSEMBLY

Item	Description	Material Code	Material Description	ASTM
600	Discharge Head	9645	Carbon Steel Fab	A53
610	Coupling Assembly	5932	Carbon Steel 1215 Zinc	A108
616	Seal Housing	1003	Cast Iron CL 30	A48 CLASS 30B
617	Seal Housing Bearing	1618	Bismuth Bronze	B584 Modified
620	Mechanical Seal			
779	Stuffing Box O-ring	5302	Nitrile Buna N	D4322

### COLUMN AND LINESHAFT ASSEMBLY

642	Column Pipe (FLG)	9645	Carbon Steel Fab	A53
645	Column Bolting	2298	Steel Bolting GR 8	J429
646	Lineshaft	2227	SST 416	A582 S41600
649	Lineshaft Coupling	2265	SST 416	A582M
652	Bearing Retainer	1205	SST 304	A744M
656	Lineshaft Bearing	5121	Rubber EPDM	D3568

### BOWL ASSEMBLY

660	Shaft	2227	SST 416	A582 S41600
670	Intermediate Bowl	6911	Cast Iron CL 30 Enamel	A48
672	Inter Bowl Bearing	1618	Bismuth Bronze	B584 Modified
673	Impeller	1203	SST 316	A744M
677	Impeller Taper Lock	2242	Carbon Steel 1018	A108
680	Wear Rings (optional)	1128	Bronze, AL C95400	B148
688	Suction Bowl / Bell	1003	Cast Iron CL 30	A48 CLASS 30B
690	Suction Bearing	1618	Bismuth Bronze	B584 Modified
692	Sand Collar	1205	SST 304	A744M
698	Suction Strainer	6952	Carbon Steel Galv	A123M
747	Plug	1046	Malleable Iron	A197
760	Hex Bolt	2298	Steel Bolting GR 8	J429

Quote No.:	_____
Customer:	_____
Customer P/O:	_____
Project:	_____
Item:	_____
Quantity:	_____
Pump Model:	_____
Stages:	_____
Date:	_____
By:	_____

Xylem Inc.  
[www.xylem.com/goulds](http://www.xylem.com/goulds)

Goulds is a registered trademark of Goulds Pumps, Inc. and is used under license.  
© 2021 Xylem Inc. D200H06 August 2021

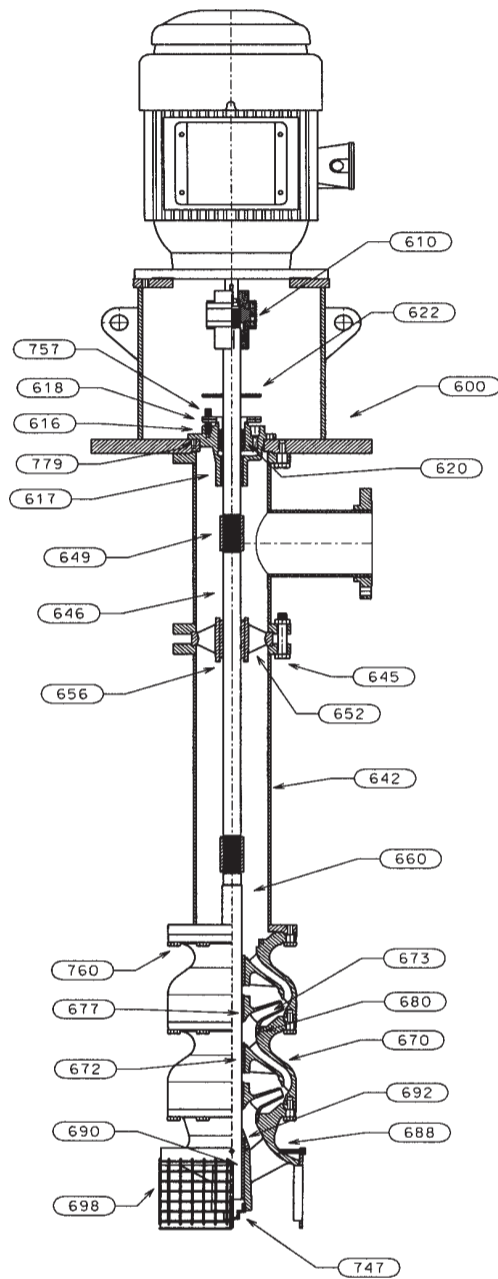
1: Pump Type, Lubrication Type, Discharge Head Type, Column Type, Seal Type, Motor Type, Motor Coupling Type

2: OLS = Open Lineshaft  
ELS = Enclosed Lineshaft  
VHS = Vertical Hollow Shaft Motor  
VSS = Vertical Solid Shaft Motor

# Sectional Type "VIT-FUFM"

## 200.H.13

LINESHAFT, OLS, "U" FABRICATED HEAD, FLANGED COLUMN, PACKING, VSS, TYPE A COUPLING<sup>1,2</sup>



### DISCHARGE HEAD ASSEMBLY

Item	Description	Material Code	Material Description	ASTM
610	Coupling Assembly	5932	Carbon Steel 1215 Zinc	A108
622	Slinger	5121	Rubber EPDM	D3568
600	Discharge Head	9645	Carbon Steel Fab	A53
617	Stuffing Box Bearing	1618	Bismuth Bronze	B584 Modified
616	Stuffing Box	1003	Cast Iron CL 30	A48 CLASS 30B
779	Stuffing Box O-ring	5302	Nitrile Buna N	D4322
618	Split Gland	1203	SST 316	A744M
757	Gland Adjusting Screw	2229	SST 316	A276
620	Packing	5026	Graphite Packing	ML402-99

### COLUMN AND LINESHAFT ASSEMBLY

642	Column Pipe (FLG)	9645	Carbon Steel Fab	A53
645	Column Bolting	2298	Steel Bolting GR 8	J429
646	Lineshaft	2227	SST 416	A582 S41600
649	Lineshaft Coupling	2265	SST 416	A582M
652	Bearing Retainer	1205	SST 304	A744M
656	Lineshaft Bearing	5121	Rubber EPDM	D3568

### BOWL ASSEMBLY

660	Bowl Shaft	2227	SST 416	A582 S41600
670	Intermediate Bowl	6911	Cast Iron CL 30 Enamel	A48
672	Inter Bowl Bearing	1618	Bismuth Bronze	B584 Modified
673	Impeller	1203	SST 316	A744M
677	Impeller Taper Lock	2242	Carbon Steel 1018	A108
680	Wear Rings (optional)	1128	Bronze, AL C95400	B148
760	Hex Bolt	2298	Steel Bolting GR 8	J429
692	Sand Collar	1205	SST 304	A744M
688	Suction Bowl / Bell	1003	Cast Iron CL 30	A48 CLASS 30B
690	Suction Bearing	1618	Bismuth Bronze	B584 Modified
698	Suction Strainer	6952	Carbon Steel Galv	A123M
747	Plug	1046	Malleable Iron	A197

Quote No.: \_\_\_\_\_  
 Customer: \_\_\_\_\_  
 Customer P/O: \_\_\_\_\_  
 Project: \_\_\_\_\_  
 Item: \_\_\_\_\_ Quantity: \_\_\_\_\_  
 Pump Model: \_\_\_\_\_ Stages: \_\_\_\_\_  
 Date: \_\_\_\_\_ By: \_\_\_\_\_

Xylem Inc.  
www.xylem.com/goulds

Goulds is a registered trademark of Goulds Pumps, Inc. and is used under license.  
© 2021 Xylem Inc. D200H13 August 2021

1: Pump Type, Lubrication Type, Discharge Head Type, Column Type, Seal Type, Motor Type, Motor Coupling Type

2: OLS = Open Lineshaft  
 ELS = Enclosed Lineshaft  
 VHS = Vertical Hollow Shaft Motor  
 VSS = Vertical Solid Shaft Motor