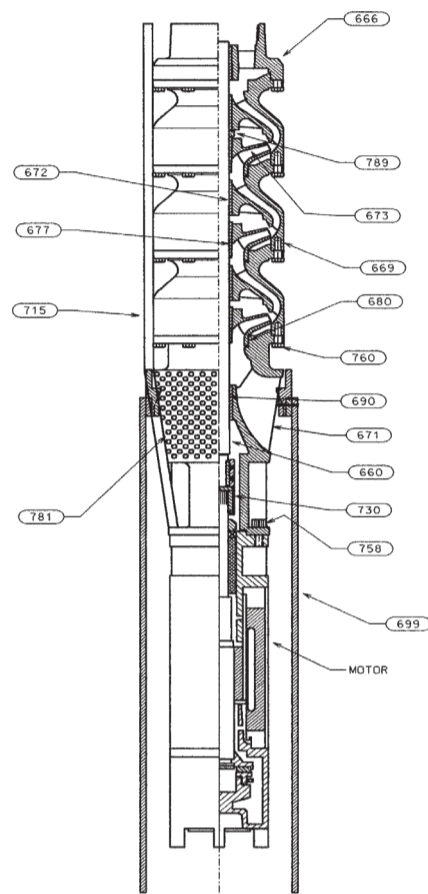


Sectional Type "VIS-" 200.H.15

SUBMERSIBLE - BOWL ASSEMBLY ONLY, SHROUD¹



Item	Description	Material Code	Material Description	ASTM
660	Shaft	2227	SST 416	A582 S41600
666	Bowl Discharge	1003	Cast Iron CL 30	A48 CLASS 30B
669	Bowl Intermediate	6911	Cast Iron CL 30 Enamel	A48
671	Subadapter	1018	Ductile Iron 65-45-12	A536
672	Bearing Intermediate Bowl	1618	Bismuth Bronze	B584 Modified
673	Impeller	1203	SST 316	A744M
677	Impeller Collet	2242	Carbon Steel 1018	A108
680	Wear Rings (optional)	1128	Bronze, AL C95400	B148
690	Bearing Subadapter	1618	Bismuth Bronze	B584 Modified
699	Shroud (Optional)	6560	PVC	D1785
715	Guard Cable	3215	SST 304	A240M
730	Coupling Motor	2218	SST 416	A582M
758	Capscrews	2229	SST 316	A276
760	Capscrews Grade 8	2298	Steel Bolting GR 8	J429
781	Screen Suction	3215	SST 304	A240M
789	Washer Upthrust	6266	Tivar 1000	None

Quote No.:	_____
Customer:	_____
Customer P/O:	_____
Project:	_____
Item:	_____
Quantity:	_____
Pump Model:	_____
Stages:	_____
Date:	_____
By:	_____

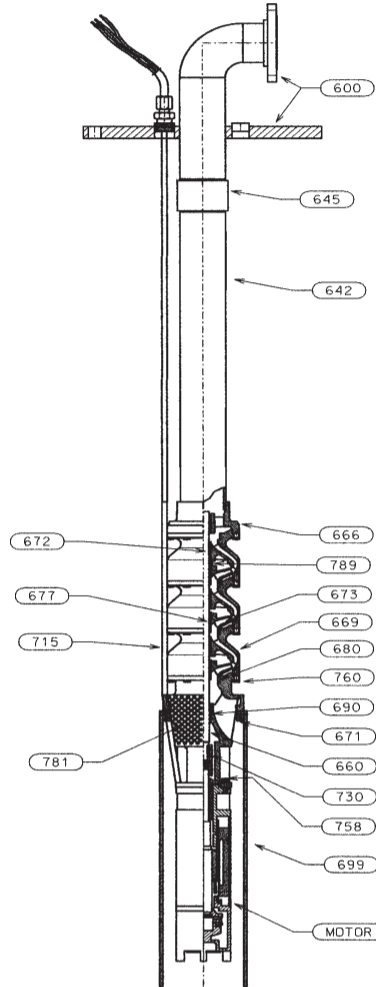
Xylem Inc.
www.xylem.com/goulds
Goulds is a registered trademark of Goulds Pumps, Inc. and is used under license.
© 2021 Xylem Inc. D200H15 August 2021

¹: Pump Type

Sectional Type "VIS-WF"

200.H.16

SUBMERSIBLE, WELL-HEAD, THREADED COLUMN¹



Item	Description	Material Code	Material Description	ASTM
600	Well Head	9645	Carbon Steel Fab	A53
642	Column Pipe	6501	Black Pipe Sch 40	A53
645	Column Coupling	6501	Black Pipe Sch 40	A53
660	Shaft	2227	SST 416	A582 S41600
666	Bowl Discharge	1003	Cast Iron CL 30	A48 CLASS 30B
669	Bowl Intermediate	6911	Cast Iron CL 30 Enamel	A48
671	Subadapter	1018	Ductile Iron 65-45-12	A536
672	Bearing Intermediate Bowl	1618	Bismuth Bronze	B584 Modified
673	Impeller	1203	SST 316	A744M
677	Impeller Collet	2242	Carbon Steel 1018	A108
690	Bearing Subadapter	1618	Bismuth Bronze	B584 Modified
699	Shroud	6560	PVC	D1785
715	Guard Cable	3215	SST 304	A240M
730	Coupling Motor	2218	SST 416	A582M
758	Capscrews	2229	SST 316	A276
760	Capscrews Grade 8	2298	Steel Bolting GR 8	J429
781	Screen Suction	3215	SST 304	A240M
789	Washer Upthrust	6266	Tivar 1000	None

Quote No.:	_____
Customer:	_____
Customer P/O:	_____
Project:	_____
Item:	_____ Quantity: _____
Pump Model:	_____ Stages: _____
Date:	_____ By: _____