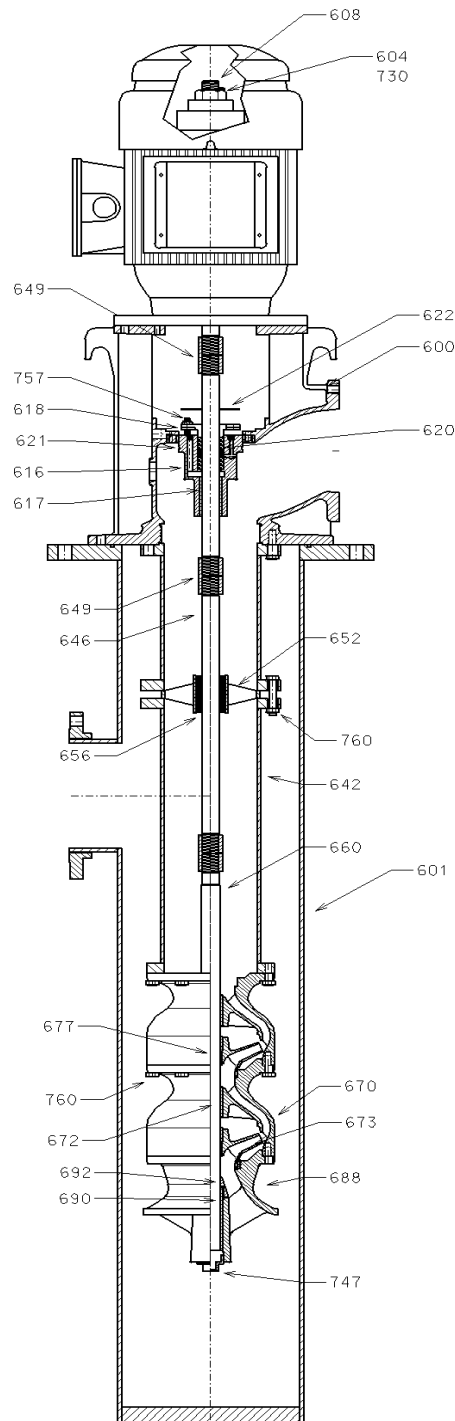


Sectional Type "VIC-DLFM"

200.H.07A

LINESHAFT, OLS, "DL" DUCTILE IRON HEAD, FLANGED COLUMN, PACKING, VHS, THREADED COUPLING^{1,2}



DISCHARGE HEAD ASSEMBLY

Item	Description	Material Code	Material Description	ASTM
608	Headshaft	2227	SST 416	A582 S41600
604	Adjusting Nut	2242	Carbon Steel 1018	A108
730	Gib Key	2242	Carbon Steel 1018	A108
622	Slinger	5121	Rubber EPDM	D3568
600	Discharge Head	1018	Ductile Iron 65-45-12	A536
617	Stuffing Box Bearing	1618	Bismuth Bronze	B584 Modified
616	Stuffing Box	1003	Cast Iron CL 30	A48 CLASS 30B
779	Stuffing Box O-ring	5302	Nitrile Buna N	D4322
618	Split Gland	1203	SST 316	A744M
757	Gland Adjusting Screw	2229	SST 316	A276
620	Packing	5026	Graphite Packing	ML402-99

COLUMN AND LINESHAFT ASSEMBLY

601	Can	9645	Carbon Steel Fab	A53
642	Column Pipe (FLG)	9645	Carbon Steel Fab	A53
645	Column Bolting	2298	Steel Bolting GR 8	J429
646	Lineshaft	2227	SST 416	A582 S41600
652	Bearing Retainer	1205	SST 304	A744M
656	Lineshaft Bearing	5121	Rubber EPDM	D3568
649	Lineshaft Coupling	2265	SST 416	A582M

BOWL ASSEMBLY

660	Bowl Shaft	2227	SST 416	A582 S41600
670	Intermediate Bowl	6911	Cast Iron CL 30 Enamel	A48
672	Inter Bowl Bearing	1618	Bismuth Bronze	B584 Modified
673	Impeller	1203	SST 316	A744M
677	Impeller Taper Lock	2242	Carbon Steel 1018	A108
680	Wear Rings (optional)	1128	Bronze, AL C95400	B148
760	Hex Bolt	2298	Steel Bolting GR 8	J429
692	Sand Collar	1205	SST 304	A744M
688	Suction Bowl / Bell	1003	Cast Iron CL 30	A48 CLASS 30B
690	Suction Bearing	1618	Bismuth Bronze	B584 Modified
747	Plug	1046	Malleable Iron	A197

Quote No.:	_____
Customer:	_____
Customer P/O:	_____
Project:	_____
Item:	_____
Pump Model:	_____
Date:	_____
Quantity:	_____
Stages:	_____
By:	_____

Xylem Inc.

www.xylem.com/goulds

Goulds is a registered trademark of Goulds Pumps, Inc. and is used under license.
© 2021 Xylem Inc. D200H07A August 2021

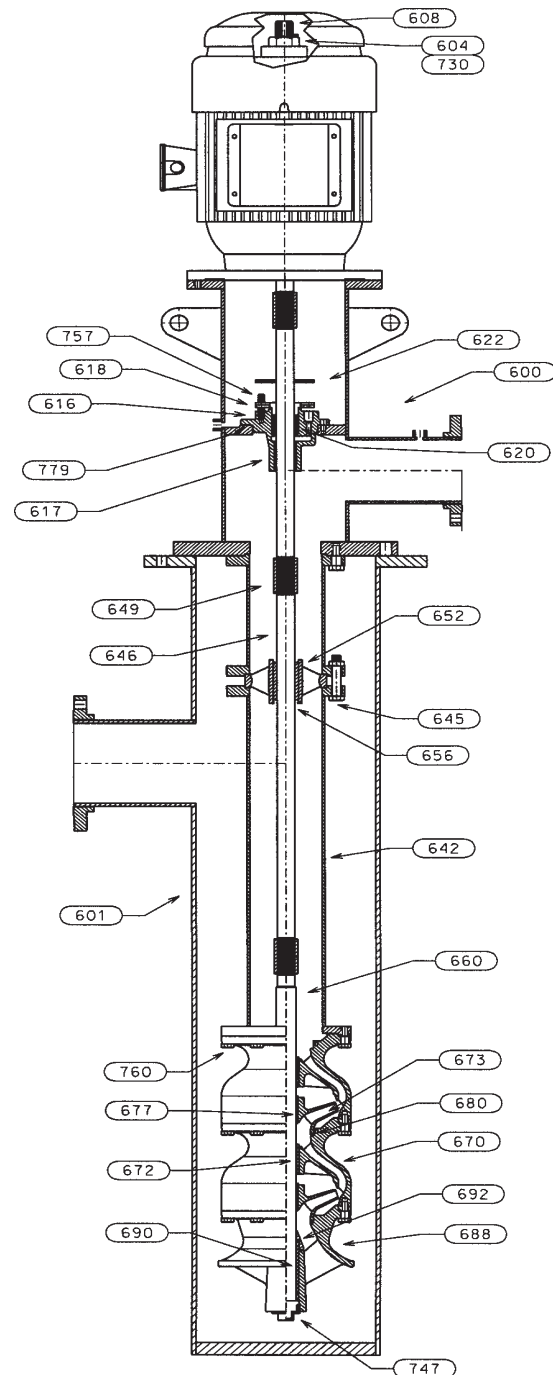
1: Pump Type, Lubrication Type, Discharge Head Type, Column Type, Seal Type, Motor Type, Motor Coupling Type

2: OLS = Open Lineshaft
ELS = Enclosed Lineshaft
VHS = Vertical Hollow Shaft Motor
VSS = Vertical Solid Shaft Motor

Sectional Type "VIC-FLFM"

200.H.09

LINESHAFT, OLS, "L" FABRICATED HEAD, FLANGED COLUMN, PACKING, VHS, THREADED COUPLING^{1,2}



DISCHARGE HEAD ASSEMBLY

Item	Description	Material Code	Material Description	ASTM
608	Headshaft	2227	SST 416	A582 S41600
604	Adjusting Nut	2242	Carbon Steel 1018	A108
730	Gib Key	2242	Carbon Steel 1018	A108
622	Slinger	5121	Rubber EPDM	D3568
600	Discharge Head	9645	Carbon Steel Fab	A53
617	Stuffing Box Bearing	1618	Bismuth Bronze	B584 Modified
616	Stuffing Box	1003	Cast Iron CL 30	A48 CLASS 30B
779	Stuffing Box O-ring	5302	Nitrile Buna N	D4322
618	Split Gland	1203	SST 316	A744M
757	Gland Adjusting Screw	2229	SST 316	A276
620	Packing	5026	Graphite Packing	ML402-99

COLUMN AND LINESHAFT ASSEMBLY

601	Can	9645	Carbon Steel Fab	A53
642	Column Pipe (FLG)	9645	Carbon Steel Fab	A53
645	Column Bolting	2298	Steel Bolting GR 8	J429
646	Lineshaft	2227	SST 416	A582 S41600
652	Bearing Retainer	1205	SST 304	A744M
656	Lineshaft Bearing	5121	Rubber EPDM	D3568
649	Lineshaft Coupling	2265	SST 416	A582M

BOWL ASSEMBLY

660	Bowl Shaft	2227	SST 416	A582 S41600
670	Intermediate Bowl	6911	Cast Iron CL 30 Enamel	A48
672	Inter Bowl Bearing	1618	Bismuth Bronze	B584 Modified
673	Impeller	1203	SST 316	A744M
677	Impeller Taper Lock	2242	Carbon Steel 1018	A108
680	Wear Rings (optional)	1128	Bronze, AL C95400	B148
760	Hex Bolt	2298	Steel Bolting GR 8	J429
692	Sand Collar	1205	SST 304	A744M
688	Suction Bowl / Bell	1003	Cast Iron CL 30	A48 CLASS 30B
690	Suction Bearing	1618	Bismuth Bronze	B584 Modified
747	Plug	1046	Malleable Iron	A197

Quote No.:	_____
Customer:	_____
Customer P/O:	_____
Project:	_____
Item:	_____
Pump Model:	_____
Date:	_____
Quantity:	_____
Stages:	_____
By:	_____

Xylem Inc.

www.xylem.com/goulds

Goulds is a registered trademark of Goulds Pumps, Inc. and is used under license.
© 2021 Xylem Inc. D200H09 August 2021

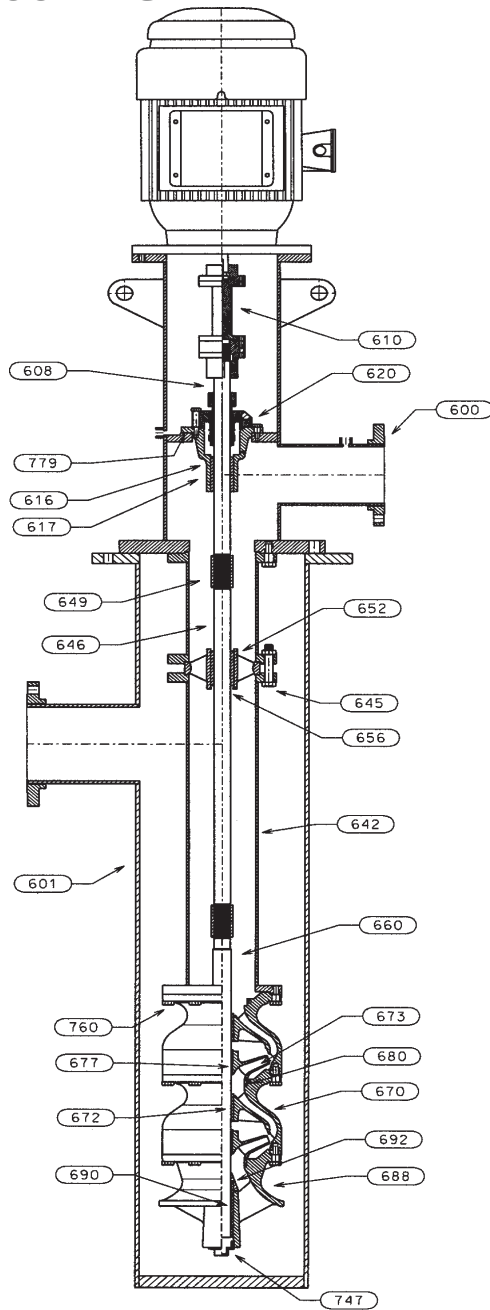
1: Pump Type, Lubrication Type, Discharge Head Type, Column Type, Seal Type, Motor Type, Motor Coupling Type

2: OLS = Open Lineshaft
ELS = Enclosed Lineshaft
VHS = Vertical Hollow Shaft Motor
VSS = Vertical Solid Shaft Motor

Sectional Type "VIC-FLFM"

200.H.10

LINESHAFT, OLS, "L" FABRICATED HEAD, FLANGED COLUMN, MECHANICAL SEAL, VSS, AS
COUPLING^{1,2}



DISCHARGE HEAD ASSEMBLY

Item	Description	Material Code	Material Description	ASTM
600	Discharge Head	9645	Carbon Steel Fab	A53
608	Headshaft	2227	SST 416	A582 S41600
610	Coupling Assembly	5932	Carbon Steel 1215 Zinc	A108
616	Seal Housing	1003	Cast Iron CL 30	A48 CLASS 30B
617	Seal Housing Bearing	1618	Bismuth Bronze	B584 Modified
620	Mechanical Seal			
779	Seal Housing Gasket	5136	Acrylic/Nitrile	5136 REV 4

COLUMN AND LINESHAFT ASSEMBLY

601	Can	9645	Carbon Steel Fab	A53
642	Column Pipe (FLG)	9645	Carbon Steel Fab	A53
645	Column Bolting	2298	Steel Bolting GR 8	J429
646	Lineshaft	2227	SST 416	A582 S41600
649	Lineshaft Coupling	2265	SST 416	A582M
652	Bearing Retainer	1205	SST 304	A744M
656	Lineshaft Bearing	5121	Rubber EPDM	D3568

BOWL ASSEMBLY

660	Bowl Shaft	2227	SST 416	A582 S41600
670	Intermediate Bowl	6911	Cast Iron CL 30 Enamel	A48
672	Inter Bowl Bearing	1618	Bismuth Bronze	B584 Modified
673	Impeller	1203	SST 316	A744M
677	Impeller Taper Lock	2242	Carbon Steel 1018	A108
680	Wear Rings (optional)	1128	Bronze, AL C95400	B148
688	Suction Bowl / Bell	1003	Cast Iron CL 30	A48 CLASS 30B
690	Suction Bearing	1618	Bismuth Bronze	B584 Modified
692	Sand Collar	1205	SST 304	A744M
747	Plug	1046	Malleable Iron	A197
760	Hex Bolt	2298	Steel Bolting GR 8	J429

Quote No.: _____
 Customer: _____
 Customer P/O: _____
 Project: _____
 Item: _____ Quantity: _____
 Pump Model: _____ Stages: _____
 Date: _____ By: _____

Xylem Inc.

www.xylem.com/goulds

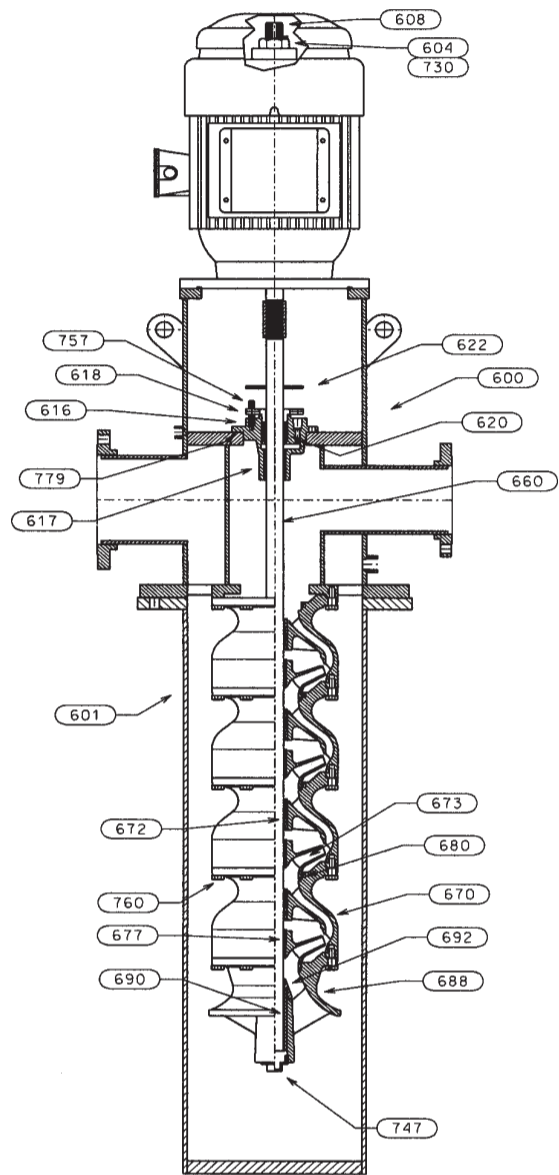
Goulds is a registered trademark of Goulds Pumps, Inc. and is used under license.
 © 2021 Xylem Inc. D200H10 August 2021

1: Pump Type, Lubrication Type, Discharge Head Type, Column Type, Seal Type, Motor Type, Motor Coupling Type

2: OLS = Open Lineshaft
 ELS = Enclosed Lineshaft
 VHS = Vertical Hollow Shaft Motor
 VSS = Vertical Solid Shaft Motor

Sectional Type "VIC-FTCM" 200.H.11

LINESHAFT, OLS, "T" FABRICATED HEAD, CLOSE-COUPLED, PACKING, VHS, THREADED COUPLING^{1,2}



DISCHARGE HEAD ASSEMBLY

Item	Description	Material Code	Material Description	ASTM
608	Headshaft	2227	SST 416	A582 S41600
604	Adjusting Nut	2242	Carbon Steel 1018	A108
730	Gib Key	2242	Carbon Steel 1018	A108
622	Slinger	5121	Rubber EPDM	D3568
600	Discharge Head	9645	Carbon Steel Fab	A53
617	Stuffing Box Bearing	1618	Bismuth Bronze	B584 Modified
616	Stuffing Box	1003	Cast Iron CL 30	A48 CLASS 30B
779	Stuffing Box O-ring	5302	Nitrile Buna N	D4322
618	Split Gland	1203	SST 316	A744M
757	Gland Adjusting Screw	2229	SST 316	A276
620	Packing	5026	Graphite Packing	ML402-99

COLUMN AND LINESHAFT ASSEMBLY

601	Can	9645	Carbon Steel Fab	A53
-----	-----	------	------------------	-----

BOWL ASSEMBLY

660	Bowl Shaft	2227	SST 416	A582 S41600
670	Intermediate Bowl	6911	Cast Iron CL 30 Enamel	A48
672	Inter Bowl Bearing	1618	Bismuth Bronze	B584 Modified
673	Impeller	1203	SST 316	A744M
677	Impeller Taper Lock	2242	Carbon Steel 1018	A108
680	Wear Rings (optional)	1128	Bronze, AL C95400	B148
760	Hex Bolt	2298	Steel Bolting GR 8	J429
692	Sand Collar	1205	SST 304	A744M
688	Suction Bowl / Bell	1003	Cast Iron CL 30	A48 CLASS 30B
690	Suction Bearing	1618	Bismuth Bronze	B584 Modified
747	Plug	1046	Malleable Iron	A197

Quote No.:	_____
Customer:	_____
Customer P/O:	_____
Project:	_____
Item:	_____ Quantity: _____
Pump Model:	_____ Stages: _____
Date:	_____ By: _____

Xylem Inc.
www.xylem.com/goulds

Goulds is a registered trademark of Goulds Pumps, Inc. and is used under license.
© 2021 Xylem Inc. D200H11 August 2021

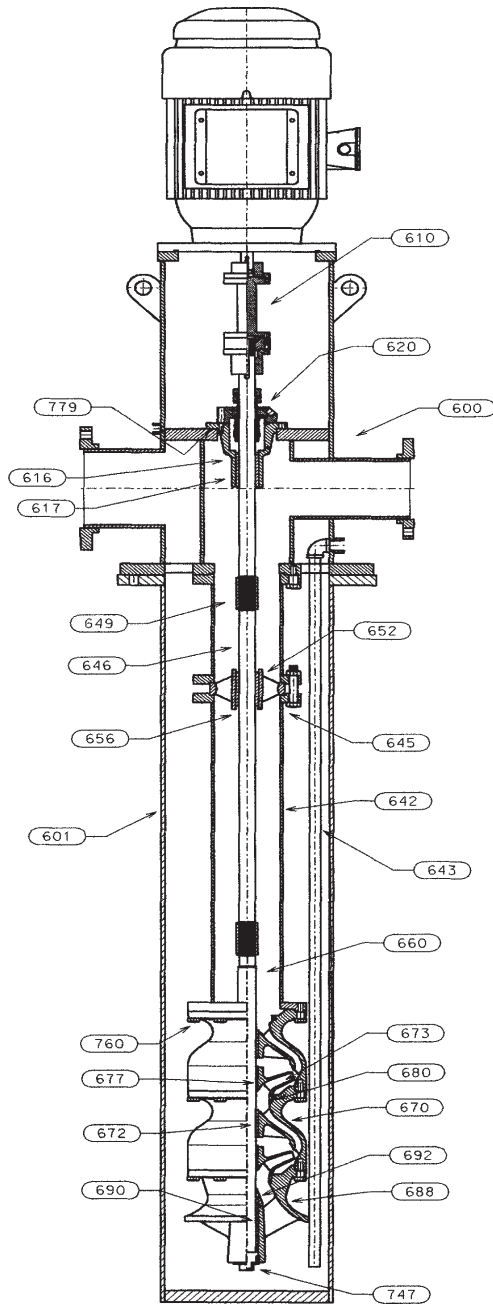
1: Pump Type, Lubrication Type, Discharge Head Type, Column Type, Seal Type, Motor Type, Motor Coupling Type

2: OLS = Open Lineshaft
ELS = Enclosed Lineshaft
VHS = Vertical Hollow Shaft Motor
VSS = Vertical Solid Shaft Motor

Sectional Type "VIC-FTFM"

200.H.12

LINESHAFT, OLS, "T" FABRICATED HEAD, FLANGED COLUMN, SEAL, VSS, AS COUPLING^{1,2}



DISCHARGE HEAD ASSEMBLY

Item	Description	Material Code	Material Description	ASTM
600	Discharge Head	9645	Carbon Steel Fab	A53
610	Coupling Assembly	5932	Carbon Steel 1215 Zinc	A108
616	Seal Housing	1003	Cast Iron CL 30	A48 CLASS 30B
617	Seal Housing Bearing	1618	Bismuth Bronze	B584 Modified
620	Mechanical Seal		Vendor Standard	None
779	Seal Housing Gasket	5136	Acrylic/Nitrile	5136 REV 4

COLUMN AND LINESHAFT ASSEMBLY

601	Can	9645	Carbon Steel Fab	A53
642	Column Pipe (FLG)	9645	Carbon Steel Fab	A53
643	Drain Pipe	6501	Black Pipe Sch 40	A53
645	Column Bolting	2298	Steel Bolting GR 8	J429
646	Lineshaft	2227	SST 416	A582 S41600
649	Lineshaft Coupling	2265	SST 416	A582M
652	Bearing Retainer	1003	Cast Iron CL 30	A48 CLASS 30B
656	Lineshaft Bearing	5121	Rubber EPDM	D3568

BOWL ASSEMBLY

660	Shaft	2227	SST 416	A582 S41600
670	Intermediate Bowl	6911	Cast Iron CL 30 Enamel	A48
672	Inter Bowl Bearing	1618	Bismuth Bronze	B584 Modified
673	Impeller	1203	SST 316	A744M
677	Impeller Taper Lock	2242	Carbon Steel 1018	A108
680	Wear Rings (optional)	1128	Bronze, AL C95400	B148
688	Suction Bell	1003	Cast Iron CL 30	A48 CLASS 30B
690	Suction Bearing	1618	Bismuth Bronze	B584 Modified
692	Sand Collar	1205	SST 304	A744M
747	Plug	1046	Malleable Iron	A197
760	Hex Bolt	2298	Steel Bolting GR 8	J429

Quote No.:	_____
Customer:	_____
Customer P/O:	_____
Project:	_____
Item:	_____
Quantity:	_____
Pump Model:	_____
Stages:	_____
Date:	_____
By:	_____

Xylem Inc.

www.xylem.com/goulds

Goulds is a registered trademark of Goulds Pumps, Inc. and is used under license.
© 2021 Xylem Inc. D200H12 August 2021

1: Pump Type, Lubrication Type, Discharge Head Type, Column Type, Seal Type, Motor Type, Motor Coupling Type

2: OLS = Open Lineshaft
ELS = Enclosed Lineshaft
VHS = Vertical Hollow Shaft Motor
VSS = Vertical Solid Shaft Motor