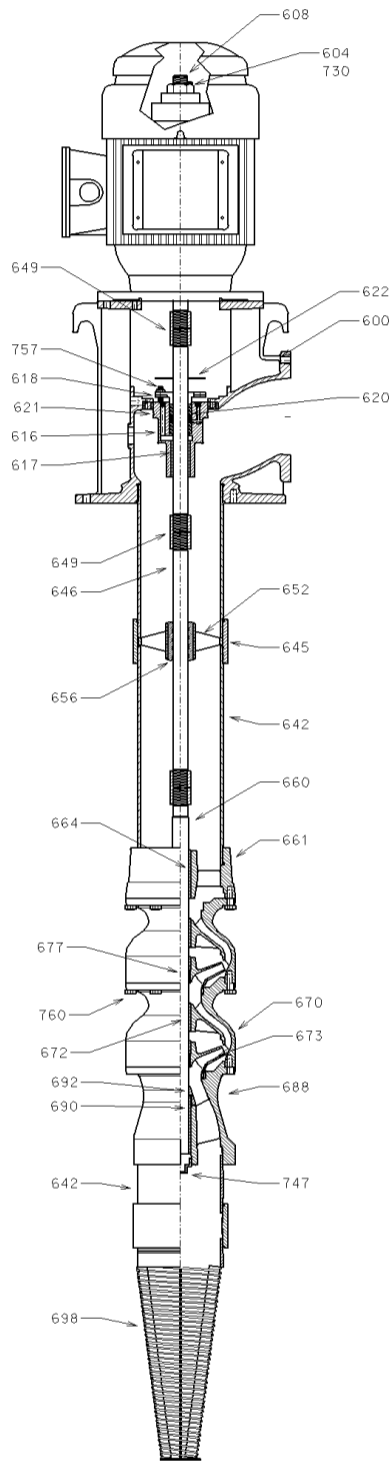


Sectional Type "DWT-DITM" 200.H.02A

LINESHAFT, OLS, "DI" DUCTILE IRON HEAD, THREADED COLUMN, PACKING, VHS, THREADED COUPLING^{1,2}



DISCHARGE HEAD ASSEMBLY

Item	Description	Material Code	Material Description	ASTM
602	Sole Plate	3201	Carbon Steel GR D	A36M
608	Headshaft	2227	SST 416	A582 S41600
604	Adjusting Nut	2242	Carbon Steel 1018	A108
730	Gib Key	2242	Carbon Steel 1018	A108
622	Slinger	5121	Rubber EPDM	D3568
600	Discharge Head	1018	Ductile Iron 65-45-12	A536
617	Stuffing Box Bearing	1618	Bismuth Bronze	B584 Modified
616	Stuffing Box	1003	Cast Iron CL 30	A48 CLASS 30B
779	Stuffing Box O-ring	5302	Nitrile Buna N	D4322
618	Split Gland	1203	SST 316	A744M
757	Gland Adjusting Screw	2229	SST 316	A276
620	Packing	5026	Graphite Packing	ML402-99

COLUMN AND LINESHAFT ASSEMBLY

645	Column Coupling	6501	Black Pipe Sch 40	A53
642	Column Pipe	6501	Black Pipe Sch 40	A53
646	Lineshaft	2205	Carbon Steel 1045	A108
647	Lineshaft Sleeve	2220	SST 304	A276
652	Bearing Retainer	1205	SST 304	A744M
656	Lineshaft Bearing	5121	Rubber EPDM	D3568
649	Lineshaft Coupling	2205	Carbon Steel 1045	A108

BOWL ASSEMBLY

660	Bowl Shaft	2227	SST 416	A582 S41600
661	Discharge Bowl	1003	Cast Iron CL 30	A48 CLASS 30B
664	Discharge Bearing	1618	Bismuth Bronze	B584 Modified
670	Intermediate Bowl	6911	Cast Iron CL 30 Enamel	A48
672	Inter Bowl Bearing	1618	Bismuth Bronze	B584 Modified
673	Impeller	1203	SST 316	A744M
677	Impeller Taper Lock	2242	Carbon Steel 1018	A108
680	Wear Rings (optional)	1128	Bronze, AL C95400	B148
760	Hex Bolt	2298	Steel Bolting GR 8	J429
692	Sand Collar	1205	SST 304	A744M
688	Suction Bowl / Bell	1003	Cast Iron CL 30	A48 CLASS 30B
690	Suction Bearing	1618	Bismuth Bronze	B584 Modified
698	Suction Strainer	6952	Carbon Steel Galv	A123M
747	Plug	1046	Malleable Iron	A197

Quote No.: _____
 Customer: _____
 Customer P/O: _____
 Project: _____
 Item: _____ Quantity: _____
 Pump Model: _____ Stages: _____
 Date: _____ By: _____

Xylem Inc.
www.xylem.com/goulds

Goulds is a registered trademark of Goulds Pumps, Inc. and is used under license.
© 2021 Xylem Inc. D200H02A August 2021

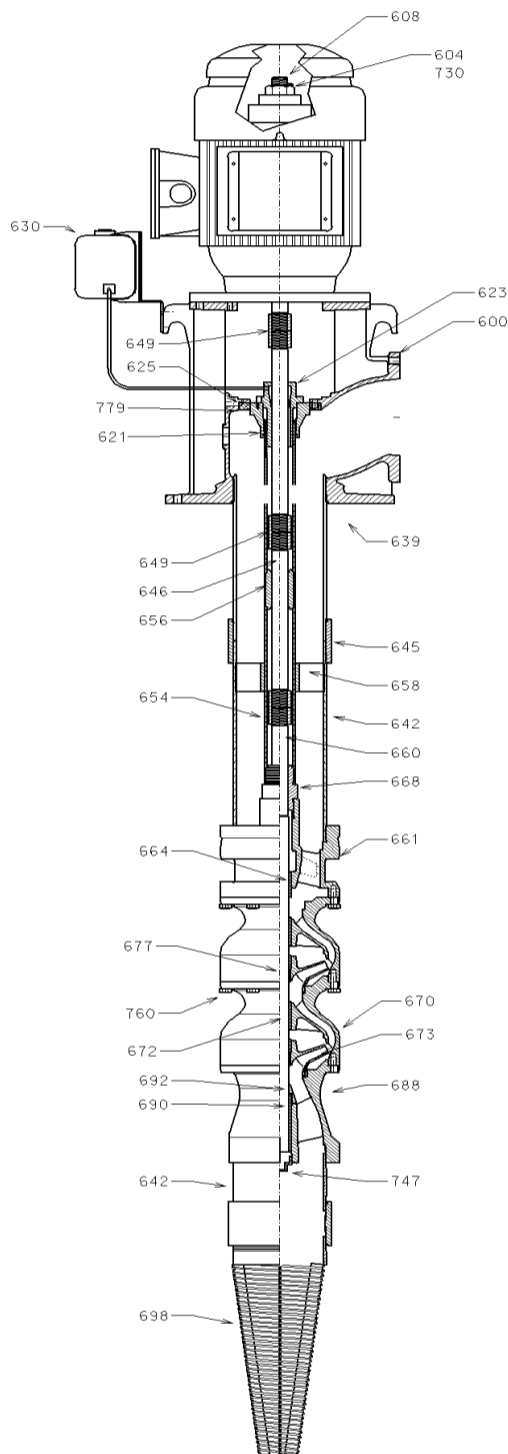
1: Pump Type, Lubrication Type, Discharge Head Type, Column Type, Seal Type, Motor Type, Motor Coupling Type

2: OLS = Open Lineshaft
 ELS = Enclosed Lineshaft
 VHS = Vertical Hollow Shaft Motor
 VSS = Vertical Solid Shaft Motor

Sectional Type "DWT-DITM"

200.H.03A

LINESHAFT, ELS, "DI" DUCTILE IRON HEAD, THREADED COLUMN, TENSION PLATE, VHS, THREADED COUPLING^{1,2}



DISCHARGE HEAD ASSEMBLY

Item	Description	Material Code	Material Description	ASTM
608	Headshaft	2227	SST 416	A582 S41600
604	Adjusting Nut	2242	Carbon Steel 1018	A108
730	Gib Key	2242	Carbon Steel 1018	A108
600	Discharge Head	1018	Ductile Iron 65-45-12	A536
630	Oil Reservoir	1425	Alum 319	B179
623	Tension Nut			
625	Tension Plate	1003	Cast Iron CL 30	A48 CLASS 30B
779	Tension Plate Gasket	5136	Acrylic/Nitrile	5136 REV 4
621	O-ring	5302	Nitrile Buna N	D4322

COLUMN AND LINESHAFT ASSEMBLY

639	Column Lock Ring	1003	Cast Iron CL 30	A48 CLASS 30B
631	Column Pipe Nipple	6501	Black Pipe Sch 40	A53
645	Column Coupling	6501	Black Pipe Sch 40	A53
642	Column Pipe	6501	Black Pipe Sch 40	A53
629	Tube Nipple	6501	Black Pipe Sch 40	A53
654	Oil Tube	6503	Black Pipe	A53
658	Tube Retainer	5121	Rubber EPDM	D3568
646	Lineshaft	2205	Carbon Steel 1045	A108
656	Lineshaft Bearing	1618	Bismuth Bronze	B584 Modified
649	Lineshaft Coupling	2205	Carbon Steel 1045	A108

BOWL ASSEMBLY

660	Bowl Shaft	2227	SST 416	A582 S41600
668	Tube Adapter Bearing	1618	Bismuth Bronze	B584 Modified
665	Oil Seal			
659	Column Adapter	1003	Cast Iron CL 30	A48 CLASS 30B
661	Discharge Bowl	1003	Cast Iron CL 30	A48 CLASS 30B
664	Discharge Bearing	1618	Bismuth Bronze	B584 Modified
670	Intermediate Bowl	6911	Cast Iron CL 30 Enamel	A48
672	Inter Bowl Bearing	1618	Bismuth Bronze	B584 Modified
673	Impeller	1203	SST 316	A744M
677	Impeller Taper Lock	2242	Carbon Steel 1018	A108
680	Wear Rings (optional)	1128	Bronze, AL C95400	B148
760	Hex Bolt	2298	Steel Bolting GR 8	J429
692	Sand Collar	1205	SST 304	A744M
688	Suction Bowl / Bell	1003	Cast Iron CL 30	A48 CLASS 30B
690	Suction Bearing	1618	Bismuth Bronze	B584 Modified
698	Suction Strainer	6952	Carbon Steel Galv	A123M
747	Plug	1046	Malleable Iron	A197

Quote No.:	_____
Customer:	_____
Customer P/O:	_____
Project:	_____
Item:	_____
Quantity:	_____
Pump Model:	_____
Stages:	_____
Date:	_____
By:	_____

Xylem Inc.
www.xylem.com/goulds

Goulds is a registered trademark of Goulds Pumps, Inc. and is used under license.
© 2021 Xylem Inc. D200H03A August 2021

1: Pump Type, Lubrication Type, Discharge Head Type, Column Type, Seal Type, Motor Type, Motor Coupling Type

2: OLS = Open Lineshaft
ELS = Enclosed Lineshaft
VHS = Vertical Hollow Shaft Motor
VSS = Vertical Solid Shaft Motor