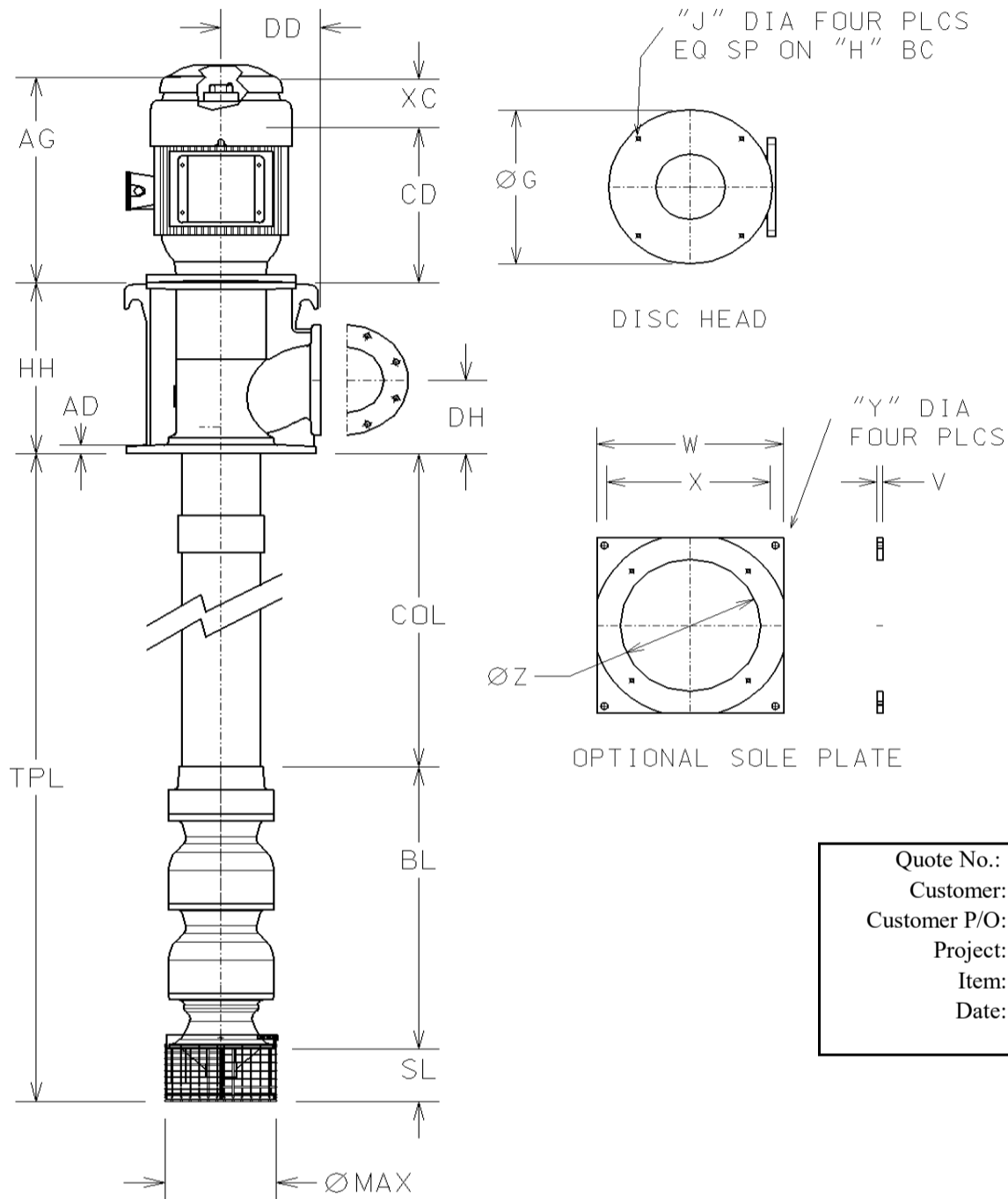


Outline Type "VIT-DITM"

200.G.02A

"DI" DUCTILE IRON HEAD, THREADED COLUMN¹



AD:	_____
AG:	_____
BD:	_____
BL:	_____
CD:	_____
COL:	_____
DD:	_____
DH:	_____
DISC:	_____
G:	_____
H:	_____
HH:	_____
J:	_____
MAX:	_____
SL:	_____
TPL:	_____
V:	_____
W:	_____
X:	_____
XC:	_____
Y:	_____
Z:	_____

Quote No.:	_____		
Customer:	_____		
Customer P/O:	_____		
Project:	_____		
Item:	_____	Quantity:	_____
Date:	_____	By:	_____

Xylem Inc.
www.xylem.com/goulds

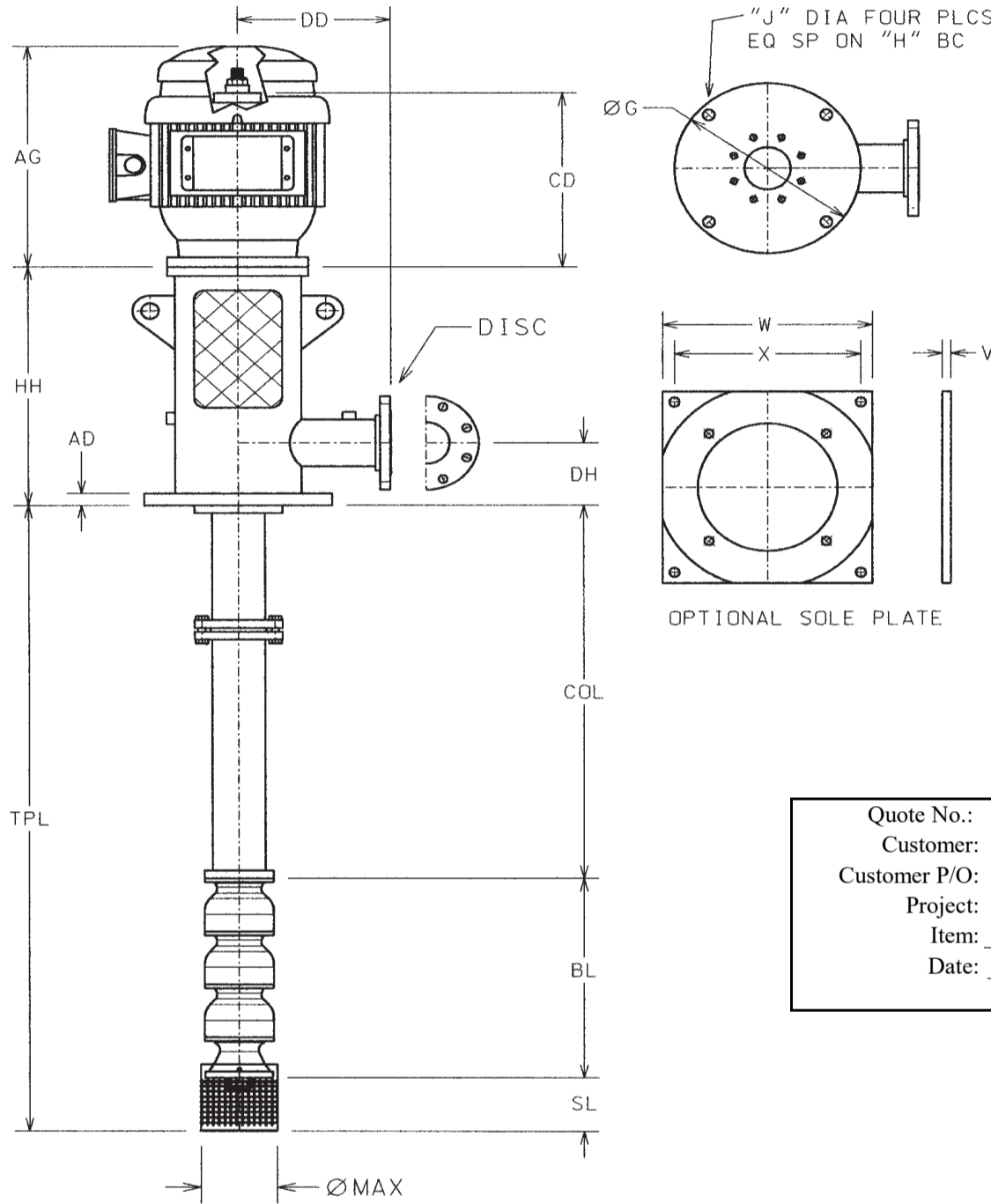
Goulds is a registered trademark of Goulds Pumps, Inc. and is used under license.
 © 2021 Xylem Inc. D200G02A August 2021

- 1: Discharge Head Type, Column Type
- 2: Suction Position, Discharge Head Type, Column Type
- 3: Discharge Position, Discharge Head Type, Column Type

Outline Type "VIT-FFFM"

200.G.05

FABRICATED HEAD, FLANGED COLUMN¹



- AD: _____
- AG: _____
- BD: _____
- BL: _____
- CD: _____
- COL: _____
- DD: _____
- DH: _____
- DISC: _____
- G: _____
- H: _____
- HH: _____
- J: _____
- MAX: _____
- SL: _____
- TPL: _____
- V: _____
- W: _____
- X: _____
- Y: _____
- Z: _____

Quote No.:	_____
Customer:	_____
Customer P/O:	_____
Project:	_____
Item: _____	Quantity: _____
Date: _____	By: _____

Xylem Inc.
www.xylem.com/goulds

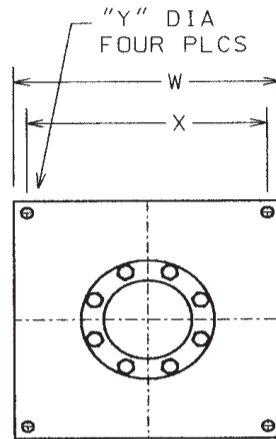
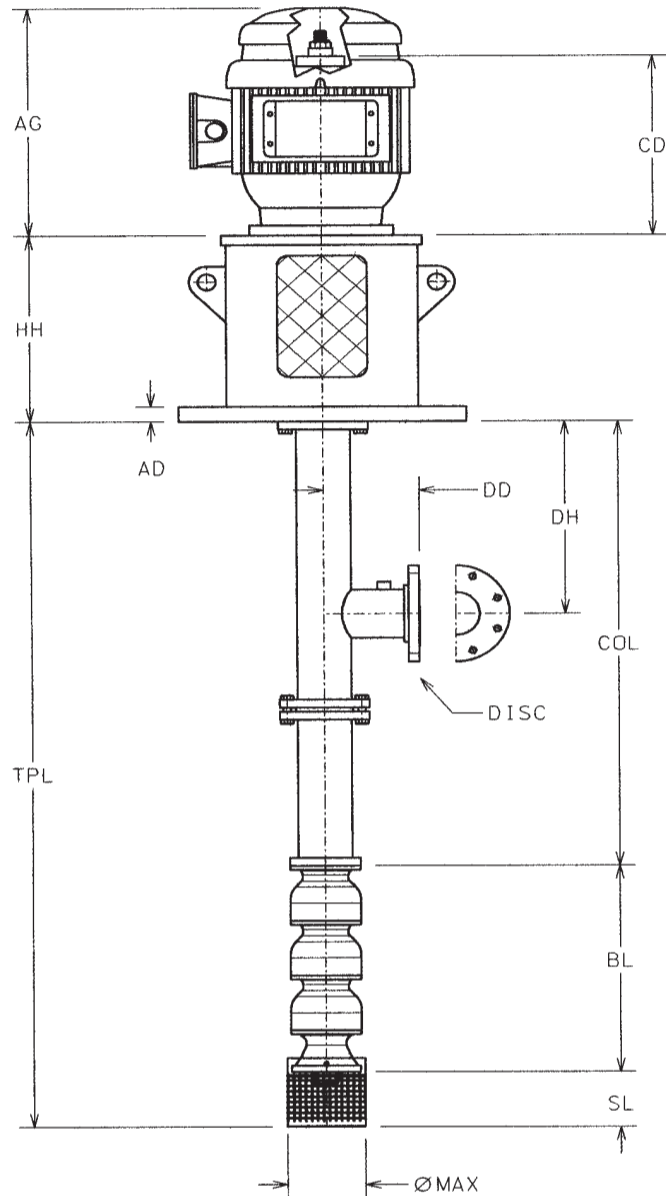
Goulds is a registered trademark of Goulds Pumps, Inc. and is used under license.
 © 2021 Xylem Inc. D200G05 August 2021

- 1: Discharge Head Type, Column Type
- 2: Suction Position, Discharge Head Type, Column Type
- 3: Discharge Position, Discharge Head Type, Column Type

Outline Type "VIT-FUFM"

200.G.11

U/G DISCHARGE, FABRICATED HEAD, FLANGED COLUMN³



- AD: _____
- AG: _____
- BD: _____
- BL: _____
- CD: _____
- COL: _____
- DD: _____
- DH: _____
- DISC: _____
- HH: _____
- MAX: _____
- SL: _____
- TPL: _____
- W: _____
- X: _____
- Y: _____

Quote No.:	_____
Customer:	_____
Customer P/O:	_____
Project:	_____
Item: _____	Quantity: _____
Date: _____	By: _____

Xylem Inc.
www.xylem.com/goulds

Goulds is a registered trademark of Goulds Pumps, Inc. and is used under license.
 © 2021 Xylem Inc. D200G11 August 2021

- 1: Discharge Head Type, Column Type
- 2: Suction Position, Discharge Head Type, Column Type
- 3: Discharge Position, Discharge Head Type, Column Type