



AQUAFORCE e-HV™

SHIP-LOOSE STEP-DOWN / STEP-UP TRANSFORMERS
TECHNICAL BROCHURE



 **GOULDS**
WATER TECHNOLOGY

a xylem brand

Part Number	Ship-Loose Transformer	kVA	Case Style	Width	Depth	Height	Approx Weight	Mtg Type (Note 1)
80-002-100	208V/3 PH Primary 480V/ 3 PH Secondary HAPOSG3A0015BK	15 kVA	DH1	21.5	20.1	22.0	210	F or W/C
80-002-101	208V/3 PH Primary 480V/ 3 PH Secondary HAPOSG3A0030BK	30 kVA	DH2	25.8	23.8	28.8	310	F or W/C
80-002-102	208V/3 PH Primary 480V/ 3 PH Secondary HAPOSG3A0045BK	45 kVA	DH2	25.8	23.8	28.8	380	F or W/C
80-002-103	208V/3 PH Primary 480V/ 3 PH Secondary HAPOSG3A0075BK	75 kVA	DH3	28.3	27.0	36.0	510	F (Opt W/C)
80-002-104	600V/3 PH Primary 480V/ 3 PH Secondary HAPOSG3A0015PK	15 kVA	DH1	21.5	20.1	22.0	210	F or W/C
80-002-105	600V/3 PH Primary 480V/ 3 PH Secondary HAPOSG3A0030PK	30 kVA	DH2	25.8	23.8	28.8	310	F or W/C
80-002-106	600V/3 PH Primary 480V/ 3 PH Secondary HAPOSG3A0045PK	45 kVA	DH2	25.8	23.8	28.8	380	F or W/C
80-002-107	600V/3 PH Primary 480V/ 3 PH Secondary HAPOSG3A0075PK	75 kVA	DH3	28.3	27.0	36.0	510	F (Opt W/C)
80-002-108	XFMR,WALL CEILING MOUNTING KIT HAPODW							

Note 1: F = Floor
Wall/Ceiling Mt

W/C = Built-in
Opt W/C = Opt. P/N 80-002-108 Wall Ceiling
Mounting Kit

Specification

A. Listings and Certifications:

- a. UL Listed. File E112313
- b. CSA Certified. File LR3902

B. Electrical

- a. Primary 208V or 600V. Secondary 480V
- b. Aluminum wound, 3 Ph delta wye
- c. 15 - 75 kVA
- d. Frequency: 60 Hz (optional 50/50 Hz available)
- e. Insulation System: 150 degree C. rise
- f. Enclosure Type: Heavy duty ventilated NEMA 3R
- g. Enclosure Finish: ANSI 61 Grey, UL 50
- h. Standard wiring tabs (refer to wiring diagrams for detail)
- i. Termination: Front accessible terminals. Connectors suitable for aluminum and copper are provided for easy cable installation.
- j. Conduit Entry: Side knock-out standard on all units
- k. Impedance: Typically 3.5% to 6.5%

C. Mounting

- a. Floor, wall, or ceiling mounting up through 45kVA
- b. Standard floor mounting on 75kVA with optional wall/ceiling kit available

D. Sound Level

- a. Meets MEMA ST-20 standards

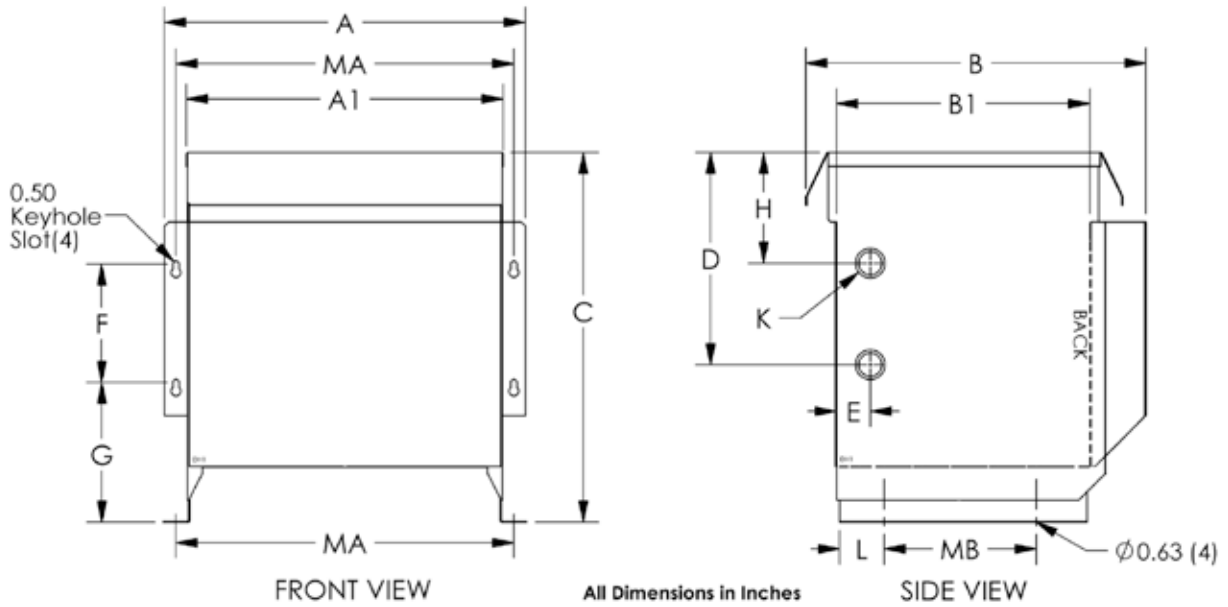
e-HV Booster Assembly

Sr #	Finish Good Part #	Description	208V Step-Up Transformer	575V Step-Down Transformer	Optional W/C Mount Kit (75 kVA only)
1	FG-HV2D2-3SV7GD4F60	e-HV,DUPLEX,HV2D2-3SV7GD4F60	80-002-100	80-002-104	N/A
2	FG-HV3D2-3SV7GD4F60	e-HV,TRIPLEX,HV3D2-3SV7GD4F60	80-002-100	80-002-104	N/A
3	FG-HV4D2-3SV7GD4F60	e-HV,QUADPLEX,HV4D2-3SV7GD4F60	80-002-100	80-002-104	N/A
4	FG-HV2D2-3SV9GE4F60	e-HV,DUPLEX,HV2D2-3SV9GE4F60	80-002-100	80-002-104	N/A
5	FG-HV3D2-3SV9GE4F60	e-HV,TRIPLEX,HV3D2-3SV9GE4F60	80-002-100	80-002-104	N/A
6	FG-HV4D2-3SV9GE4F60	e-HV,QUADPLEX,HV4D2-3SV9GE4F60	80-002-100	80-002-104	N/A
7	FG-HV2D2-3SV12GF4F60	e-HV,DUPLEX,HV2D2-3SV12GF4F60	80-002-100	80-002-104	N/A
8	FG-HV3D2-3SV12GF4F60	e-HV,TRIPLEX,HV3D2-3SV12GF4F60	80-002-100	80-002-104	N/A
9	FG-HV4D2-3SV12GF4F60	e-HV,QUADPLEX,HV4D2-3SV12GF4F60	80-002-101	80-002-105	N/A
10	FG-HV2D2-3SV14GF4F60	e-HV,DUPLEX,HV2D2-3SV14GF4F60	80-002-100	80-002-104	N/A
11	FG-HV3D2-3SV14GF4F60	e-HV,TRIPLEX,HV3D2-3SV14GF4F60	80-002-100	80-002-104	N/A
12	FG-HV4D2-3SV14GF4F60	e-HV,QUADPLEX,HV4D2-3SV14GF4F60	80-002-101	80-002-105	N/A
13	FG-HV2D2-3SV16GG4C60	e-HV,DUPLEX,HV2D2-3SV16GG4C60	80-002-100	80-002-104	N/A
14	FG-HV3D2-3SV16GG4C60	e-HV,TRIPLEX,HV3D2-3SV16GG4C60	80-002-101	80-002-105	N/A
15	FG-HV4D2-3SV16GG4C60	e-HV,QUADPLEX,HV4D2-3SV16GG4C60	80-002-102	80-002-106	N/A
16	FG-HV2D2-3SV18GG4C60	e-HV,DUPLEX,HV2D2-3SV18GG4C60	80-002-100	80-002-104	N/A
17	FG-HV3D2-3SV18GG4C60	e-HV,TRIPLEX,HV3D2-3SV18GG4C60	80-002-101	80-002-105	N/A
18	FG-HV4D2-3SV18GG4C60	e-HV,QUADPLEX,HV4D2-3SV18GG4C60	80-002-102	80-002-106	N/A
19	FG-HV2D2-5SV4GD4F60	e-HV,DUPLEX,HV2D2-5SV4GD4F60	80-002-100	80-002-104	N/A
20	FG-HV3D2-5SV4GD4F60	e-HV,TRIPLEX,HV3D2-5SV4GD4F60	80-002-100	80-002-104	N/A
21	FG-HV3D3-5SV4GD4F60	e-HV,TRIPLEX,HV3D3-5SV4GD4F60	80-002-100	80-002-104	N/A
22	FG-HV4D3-5SV4GD4F60	e-HV,QUADPLEX,HV4D3-5SV4GD4F60	80-002-100	80-002-104	N/A
23	FG-HV2D2-5SV6GE4F60	e-HV,DUPLEX,HV2D2-5SV6GE4F60	80-002-100	80-002-104	N/A
24	FG-HV3D2-5SV6GE4F60	e-HV,TRIPLEX,HV3D2-5SV6GE4F60	80-002-100	80-002-104	N/A
25	FG-HV3D3-5SV6GE4F60	e-HV,TRIPLEX,HV3D3-5SV6GE4F60	80-002-100	80-002-104	N/A
26	FG-HV4D3-5SV6GE4F60	e-HV,QUADPLEX,HV4D3-5SV6GE4F60	80-002-100	80-002-104	N/A
27	FG-HV2D2-5SV9GF4F60	e-HV,DUPLEX,HV2D2-5SV9GF4F60	80-002-100	80-002-104	N/A
28	FG-HV3D2-5SV9GF4F60	e-HV,TRIPLEX,HV3D2-5SV9GF4F60	80-002-100	80-002-104	N/A
29	FG-HV3D3-5SV9GF4F60	e-HV,TRIPLEX,HV3D3-5SV9GF4F60	80-002-100	80-002-104	N/A
30	FG-HV4D3-5SV9GF4F60	e-HV,QUADPLEX,HV4D3-5SV9GF4F60	80-002-101	80-002-105	N/A
31	FG-HV2D2-5SV12GG4C60	e-HV,DUPLEX,HV2D2-5SV12GG4C60	80-002-100	80-002-104	N/A
32	FG-HV3D2-5SV12GG4C60	e-HV,TRIPLEX,HV3D2-5SV12GG4C60	80-002-101	80-002-105	N/A
33	FG-HV3D3-5SV12GG4C60	e-HV,TRIPLEX,HV3D3-5SV12GG4C60	80-002-101	80-002-105	N/A
34	FG-HV4D3-5SV12GG4C60	e-HV,QUADPLEX,HV4D3-5SV12GG4C60	80-002-102	80-002-106	N/A
35	FG-HV2D2-5SV15GG4C60	e-HV,DUPLEX,HV2D2-5SV15GG4C60	80-002-100	80-002-104	N/A
36	FG-HV3D2-5SV15GG4C60	e-HV,TRIPLEX,HV3D2-5SV15GG4C60	80-002-101	80-002-105	N/A
37	FG-HV3D3-5SV15GG4C60	e-HV,TRIPLEX,HV3D3-5SV15GG4C60	80-002-101	80-002-105	N/A
38	FG-HV4D3-5SV15GG4C60	e-HV,QUADPLEX,HV4D3-5SV15GG4C60	80-002-102	80-002-106	N/A
39	FG-HV2D2-5SV18GH4F60	e-HV,DUPLEX,HV2D2-5SV18GH4F60	80-002-101	80-002-104	N/A
40	FG-HV3D2-5SV18GH4F60	e-HV,TRIPLEX,HV3D2-5SV18GH4F60	80-002-101	80-002-104	N/A
41	FG-HV3D3-5SV18GH4F60	e-HV,TRIPLEX,HV3D3-5SV18GH4F60	80-002-101	80-002-104	N/A
42	FG-HV4D3-5SV18GH4F60	e-HV,QUADPLEX,HV4D3-5SV18GH4F60	80-002-102	80-002-106	N/A
43	FG-HV2D2-10SV2GE4F60	e-HV,DUPLEX,HV2D2-10SV2GE4F60	80-002-100	80-002-104	N/A
44	FG-HV2D3-10SV2GE4F60	e-HV,DUPLEX,HV2D3-10SV2GE4F60	80-002-100	80-002-104	N/A
45	FG-HV3D3-10SV2GE4F60	e-HV,TRIPLEX,HV3D3-10SV2GE4F60	80-002-100	80-002-104	N/A
46	FG-HV4D3-10SV2GE4F60	e-HV,QUADPLEX,HV4D3-10SV2GE4F60	80-002-100	80-002-104	N/A
47	FG-HV4D4-10SV2GE4F60	e-HV,QUADPLEX,HV4D4-10SV2GE4F60	80-002-100	80-002-104	N/A
48	FG-HV2D2-10SV3GF4F60	e-HV,DUPLEX,HV2D2-10SV3GF4F60	80-002-100	80-002-104	N/A
49	FG-HV2D3-10SV3GF4F60	e-HV,DUPLEX,HV2D3-10SV3GF4F60	80-002-100	80-002-104	N/A
50	FG-HV3D3-10SV3GF4F60	e-HV,TRIPLEX,HV3D3-10SV3GF4F60	80-002-100	80-002-104	N/A
51	FG-HV4D3-10SV3GF4F60	e-HV,QUADPLEX,HV4D3-10SV3GF4F60	80-002-101	80-002-105	N/A
52	FG-HV4D4-10SV3GF4F60	e-HV,QUADPLEX,HV4D4-10SV3GF4F60	80-002-101	80-002-105	N/A
53	FG-HV2D2-10SV6GG4C60	e-HV,DUPLEX,HV2D2-10SV6GG4C60	80-002-100	80-002-104	N/A
54	FG-HV2D3-10SV6GG4C60	e-HV,DUPLEX,HV2D3-10SV6GG4C60	80-002-100	80-002-104	N/A
55	FG-HV3D3-10SV6GG4C60	e-HV,TRIPLEX,HV3D3-10SV6GG4C60	80-002-101	80-002-105	N/A
56	FG-HV4D3-10SV6GG4C60	e-HV,QUADPLEX,HV4D3-10SV6GG4C60	80-002-102	80-002-106	N/A
57	FG-HV4D4-10SV6GG4C60	e-HV,QUADPLEX,HV4D4-10SV6GG4C60	80-002-102	80-002-106	N/A
58	FG-HV2D2-10SV8GH4F60	e-HV,DUPLEX,HV2D2-10SV8GH4F60	80-002-101	80-002-105	N/A
59	FG-HV2D3-10SV8GH4F60	e-HV,DUPLEX,HV2D3-10SV8GH4F60	80-002-101	80-002-105	N/A
60	FG-HV3D3-10SV8GH4F60	e-HV,TRIPLEX,HV3D3-10SV8GH4F60	80-002-101	80-002-105	N/A
61	FG-HV4D3-10SV8GH4F60	e-HV,QUADPLEX,HV4D3-10SV8GH4F60	80-002-102	80-002-106	N/A
62	FG-HV4D4-10SV8GH4F60	e-HV,QUADPLEX,HV4D4-10SV8GH4F60	80-002-102	80-002-106	N/A
63	FG-HV2D2-10SV11GJ4F60	e-HV,DUPLEX,HV2D2-10SV11GJ4F60	80-002-101	80-002-105	N/A
64	FG-HV2D3-10SV11GJ4F60	e-HV,DUPLEX,HV2D3-10SV11GJ4F60	80-002-101	80-002-105	N/A
65	FG-HV3D3-10SV11GJ4F60	e-HV,TRIPLEX,HV3D3-10SV11GJ4F60	80-002-102	80-002-106	N/A
66	FG-HV4D3-10SV11GJ4F60	e-HV,QUADPLEX,HV4D3-10SV11GJ4F60	80-002-103	80-002-107	80-002-108
67	FG-HV4D4-10SV11GJ4F60	e-HV,QUADPLEX,HV4D4-10SV11GJ4F60	80-002-103	80-002-107	80-002-108
68	FG-HV2D3-15SV1GE4F60	e-HV,DUPLEX,HV2D3-15SV1GE4F60	80-002-100	80-002-104	N/A
69	FG-HV2D4-15SV1GE4F60	e-HV,DUPLEX,HV2D4-15SV1GE4F60	80-002-100	80-002-104	N/A
70	FG-HV3D4-15SV1GE4F60	e-HV,TRIPLEX,HV3D4-15SV1GE4F60	80-002-100	80-002-104	N/A
71	FG-HV4D4-15SV1GE4F60	e-HV,QUADPLEX,HV4D4-15SV1GE4F60	80-002-100	80-002-104	N/A

e-HV Booster Assembly

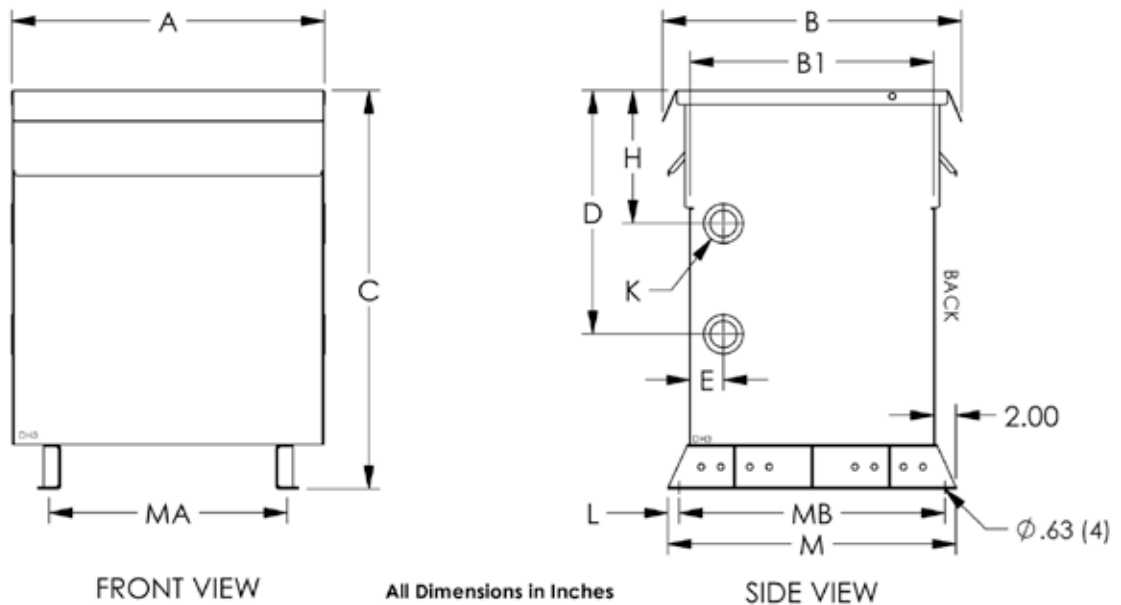
Sr #	Finish Good Part #	Description	208V Step-Up Transformer	575V Step-Down Transformer	Optional W/C Mount Kit (75 kVA only)
72	FG-HV4D6-15SV1GE4F60	e-HV,QUADPLEX,HV4D6-15SV1GE4F60	80-002-100	80-002-104	N/A
73	FG-HV2D3-15SV2GG4C60	e-HV,DUPLEX,HV2D3-15SV2GG4C60	80-002-100	80-002-104	N/A
74	FG-HV2D4-15SV2GG4C60	e-HV,DUPLEX,HV2D4-15SV2GG4C60	80-002-100	80-002-104	N/A
75	FG-HV3D4-15SV2GG4C60	e-HV,TRIPLEX,HV3D4-15SV2GG4C60	80-002-101	80-002-105	N/A
76	FG-HV4D4-15SV2GG4C60	e-HV,QUADPLEX,HV4D4-15SV2GG4C60	80-002-102	80-002-106	N/A
77	FG-HV4D6-15SV2GG4C60	e-HV,QUADPLEX,HV4D6-15SV2GG4C60	80-002-102	80-002-106	N/A
78	FG-HV2D3-15SV3GH4F60	e-HV,DUPLEX,HV2D3-15SV3GH4F60	80-002-101	80-002-105	N/A
79	FG-HV2D4-15SV3GH4F60	e-HV,DUPLEX,HV2D4-15SV3GH4F60	80-002-101	80-002-105	N/A
80	FG-HV3D4-15SV3GH4F60	e-HV,TRIPLEX,HV3D4-15SV3GH4F60	80-002-101	80-002-105	N/A
81	FG-HV4D4-15SV3GH4F60	e-HV,QUADPLEX,HV4D4-15SV3GH4F60	80-002-102	80-002-106	N/A
82	FG-HV4D6-15SV3GH4F60	e-HV,QUADPLEX,HV4D6-15SV3GH4F60	80-002-102	80-002-106	N/A
83	FG-HV2D3-15SV4GH4F60	e-HV,DUPLEX,HV2D3-15SV4GH4F60	80-002-101	80-002-105	N/A
84	FG-HV2D4-15SV4GH4F60	e-HV,DUPLEX,HV2D4-15SV4GH4F60	80-002-101	80-002-105	N/A
85	FG-HV3D4-15SV4GH4F60	e-HV,TRIPLEX,HV3D4-15SV4GH4F60	80-002-101	80-002-105	N/A
86	FG-HV4D4-15SV4GH4F60	e-HV,QUADPLEX,HV4D4-15SV4GH4F60	80-002-102	80-002-106	N/A
87	FG-HV4D6-15SV4GH4F60	e-HV,QUADPLEX,HV4D6-15SV4GH4F60	80-002-102	80-002-106	N/A
88	FG-HV2D3-15SV5GJ4F60	e-HV,DUPLEX,HV2D3-15SV5GJ4F60	80-002-101	80-002-105	N/A
89	FG-HV2D4-15SV5GJ4F60	e-HV,DUPLEX,HV2D4-15SV5GJ4F60	80-002-101	80-002-105	N/A
90	FG-HV3D4-15SV5GJ4F60	e-HV,TRIPLEX,HV3D4-15SV5GJ4F60	80-002-102	80-002-106	N/A
91	FG-HV4D4-15SV5GJ4F60	e-HV,QUADPLEX,HV4D4-15SV5GJ4F60	80-002-103	80-002-107	80-002-108
92	FG-HV4D6-15SV5GJ4F60	e-HV,QUADPLEX,HV4D6-15SV5GJ4F60	80-002-103	80-002-107	80-002-108
93	FG-HV2D3-15SV6GK4F60	e-HV,DUPLEX,HV2D3-15SV6GK4F60	80-002-102	80-002-106	N/A
94	FG-HV2D4-15SV6GK4F60	e-HV,DUPLEX,HV2D4-15SV6GK4F60	80-002-102	80-002-106	N/A
95	FG-HV3D4-15SV6GK4F60	e-HV,TRIPLEX,HV3D4-15SV6GK4F60	80-002-103	80-002-107	80-002-108
96	FG-HV4D4-15SV6GK4F60	e-HV,QUADPLEX,HV4D4-15SV6GK4F60	80-002-103	80-002-107	80-002-108
97	FG-HV4D6-15SV6GK4F60	e-HV,QUADPLEX,HV4D6-15SV6GK4F60	80-002-103	80-002-107	80-002-108
98	FG-HV2D3-15SV7GK4F60	e-HV,DUPLEX,HV2D3-15SV7GK4F60	80-002-102	80-002-106	N/A
99	FG-HV2D4-15SV7GK4F60	e-HV,DUPLEX,HV2D4-15SV7GK4F60	80-002-102	80-002-106	N/A
100	FG-HV3D4-15SV7GK4F60	e-HV,TRIPLEX,HV3D4-15SV7GK4F60	80-002-103	80-002-107	80-002-108
101	FG-HV4D4-15SV7GK4F60	e-HV,QUADPLEX,HV4D4-15SV7GK4F60	80-002-103	80-002-107	80-002-108
102	FG-HV4D6-15SV7GK4F60	e-HV,QUADPLEX,HV4D6-15SV7GK4F60	80-002-103	80-002-107	80-002-108
103	FG-HV2D3-15SV8GK4F60	e-HV,DUPLEX,HV2D3-15SV8GK4F60	80-002-102	80-002-106	N/A
104	FG-HV2D4-15SV8GK4F60	e-HV,DUPLEX,HV2D4-15SV8GK4F60	80-002-102	80-002-106	N/A
105	FG-HV3D4-15SV8GK4F60	e-HV,TRIPLEX,HV3D4-15SV8GK4F60	80-002-103	80-002-107	80-002-108
106	FG-HV4D4-15SV8GK4F60	e-HV,QUADPLEX,HV4D4-15SV8GK4F60	80-002-103	80-002-107	80-002-108
107	FG-HV4D6-15SV8GK4F60	e-HV,QUADPLEX,HV4D6-15SV8GK4F60	80-002-103	80-002-107	80-002-108
108	FG-HV2D3-33SV11GG4C60	e-HV,DUPLEX,HV2D3-33SV11GG4C60	80-002-100	80-002-104	N/A
109	FG-HV2D4-33SV11GG4C60	e-HV,DUPLEX,HV2D4-33SV11GG4C60	80-002-100	80-002-104	N/A
110	FG-HV3D4-33SV11GG4C60	e-HV,TRIPLEX,HV3D4-33SV11GG4C60	80-002-101	80-002-105	N/A
111	FG-HV3D6-33SV11GG4C60	e-HV,TRIPLEX,HV3D6-33SV11GG4C60	80-002-101	80-002-105	N/A
112	FG-HV4D6-33SV11GG4C60	e-HV,QUADPLEX,HV4D6-33SV11GG4C60	80-002-102	80-002-106	N/A
113	FG-HV2D3-33SV10GH4F60	e-HV,DUPLEX,HV2D3-33SV10GH4F60	80-002-101	80-002-105	N/A
114	FG-HV2D4-33SV10GH4F60	e-HV,DUPLEX,HV2D4-33SV10GH4F60	80-002-101	80-002-105	N/A
115	FG-HV3D4-33SV10GH4F60	e-HV,TRIPLEX,HV3D4-33SV10GH4F60	80-002-101	80-002-105	N/A
116	FG-HV3D6-33SV10GH4F60	e-HV,TRIPLEX,HV3D6-33SV10GH4F60	80-002-101	80-002-105	N/A
117	FG-HV4D6-33SV10GH4F60	e-HV,QUADPLEX,HV4D6-33SV10GH4F60	80-002-102	80-002-106	N/A
118	FG-HV2D3-33SV22GH4F60	e-HV,DUPLEX,HV2D3-33SV22GH4F60	80-002-101	80-002-105	N/A
119	FG-HV2D4-33SV22GH4F60	e-HV,DUPLEX,HV2D4-33SV22GH4F60	80-002-101	80-002-105	N/A
120	FG-HV3D4-33SV22GH4F60	e-HV,TRIPLEX,HV3D4-33SV22GH4F60	80-002-101	80-002-105	N/A
121	FG-HV3D6-33SV22GH4F60	e-HV,TRIPLEX,HV3D6-33SV22GH4F60	80-002-101	80-002-105	N/A
122	FG-HV4D6-33SV22GH4F60	e-HV,QUADPLEX,HV4D6-33SV22GH4F60	80-002-102	80-002-106	N/A
123	FG-HV2D3-33SV21GJ4F60	e-HV,DUPLEX,HV2D3-33SV21GJ4F60	80-002-101	80-002-105	N/A
124	FG-HV2D4-33SV21GJ4F60	e-HV,DUPLEX,HV2D4-33SV21GJ4F60	80-002-101	80-002-105	N/A
125	FG-HV3D4-33SV21GJ4F60	e-HV,TRIPLEX,HV3D4-33SV21GJ4F60	80-002-102	80-002-106	N/A
126	FG-HV3D6-33SV21GJ4F60	e-HV,TRIPLEX,HV3D6-33SV21GJ4F60	80-002-102	80-002-106	N/A
127	FG-HV4D6-33SV21GJ4F60	e-HV,QUADPLEX,HV4D6-33SV21GJ4F60	80-002-103	80-002-107	80-002-108
128	FG-HV2D3-33SV20GK4F60	e-HV,DUPLEX,HV2D3-33SV20GK4F60	80-002-102	80-002-106	N/A
129	FG-HV2D4-33SV20GK4F60	e-HV,DUPLEX,HV2D4-33SV20GK4F60	80-002-102	80-002-106	N/A
130	FG-HV3D4-33SV20GK4F60	e-HV,TRIPLEX,HV3D4-33SV20GK4F60	80-002-103	80-002-107	80-002-108
131	FG-HV3D6-33SV20GK4F60	e-HV,TRIPLEX,HV3D6-33SV20GK4F60	80-002-103	80-002-107	80-002-108
132	FG-HV4D6-33SV20GK4F60	e-HV,QUADPLEX,HV4D6-33SV20GK4F60	80-002-103	80-002-107	80-002-108
133	FG-HV2D3-33SV32GK4F60	e-HV,DUPLEX,HV2D3-33SV32GK4F60	80-002-102	80-002-106	N/A
134	FG-HV2D4-33SV32GK4F60	e-HV,DUPLEX,HV2D4-33SV32GK4F60	80-002-102	80-002-106	N/A
135	FG-HV3D4-33SV32GK4F60	e-HV,TRIPLEX,HV3D4-33SV32GK4F60	80-002-103	80-002-107	80-002-108
136	FG-HV3D6-33SV32GK4F60	e-HV,TRIPLEX,HV3D6-33SV32GK4F60	80-002-103	80-002-107	80-002-108
137	FG-HV4D6-33SV32GK4F60	e-HV,QUADPLEX,HV4D6-33SV32GK4F60	80-002-103	80-002-107	80-002-108
138	FG-HV2D3-33SV31GK4F60	e-HV,DUPLEX,HV2D3-33SV31GK4F60	80-002-102	80-002-106	N/A
139	FG-HV2D4-33SV31GK4F60	e-HV,DUPLEX,HV2D4-33SV31GK4F60	80-002-102	80-002-106	N/A
140	FG-HV3D4-33SV31GK4F60	e-HV,TRIPLEX,HV3D4-33SV31GK4F60	80-002-103	80-002-107	80-002-108
141	FG-HV3D6-33SV31GK4F60	e-HV,TRIPLEX,HV3D6-33SV31GK4F60	80-002-103	80-002-107	80-002-108
142	FG-HV4D6-33SV31GK4F60	e-HV,QUADPLEX,HV4D6-33SV31GK4F60	80-002-103	80-002-107	80-002-108

Trans Dimensional Drawings



Case Style	Dimensions in Inches													
	A	A _I	B	B _I	C	D	E	F	G	H	K	L	MA	
DH1	21.5	18.8	20.1	15	22	12.6	2	7	8.3	6.6	1.38 X 1.75 K.O.	2.6	20	9
DH2	25.8	23.3	23.8	18	28.8	17	2	8	10.3	8.6	1.75 X 2.50 K.O.	3.8	24.6	9

¹ Knockout (K) sizes are actual diameters of knockout, not conduit sizes.

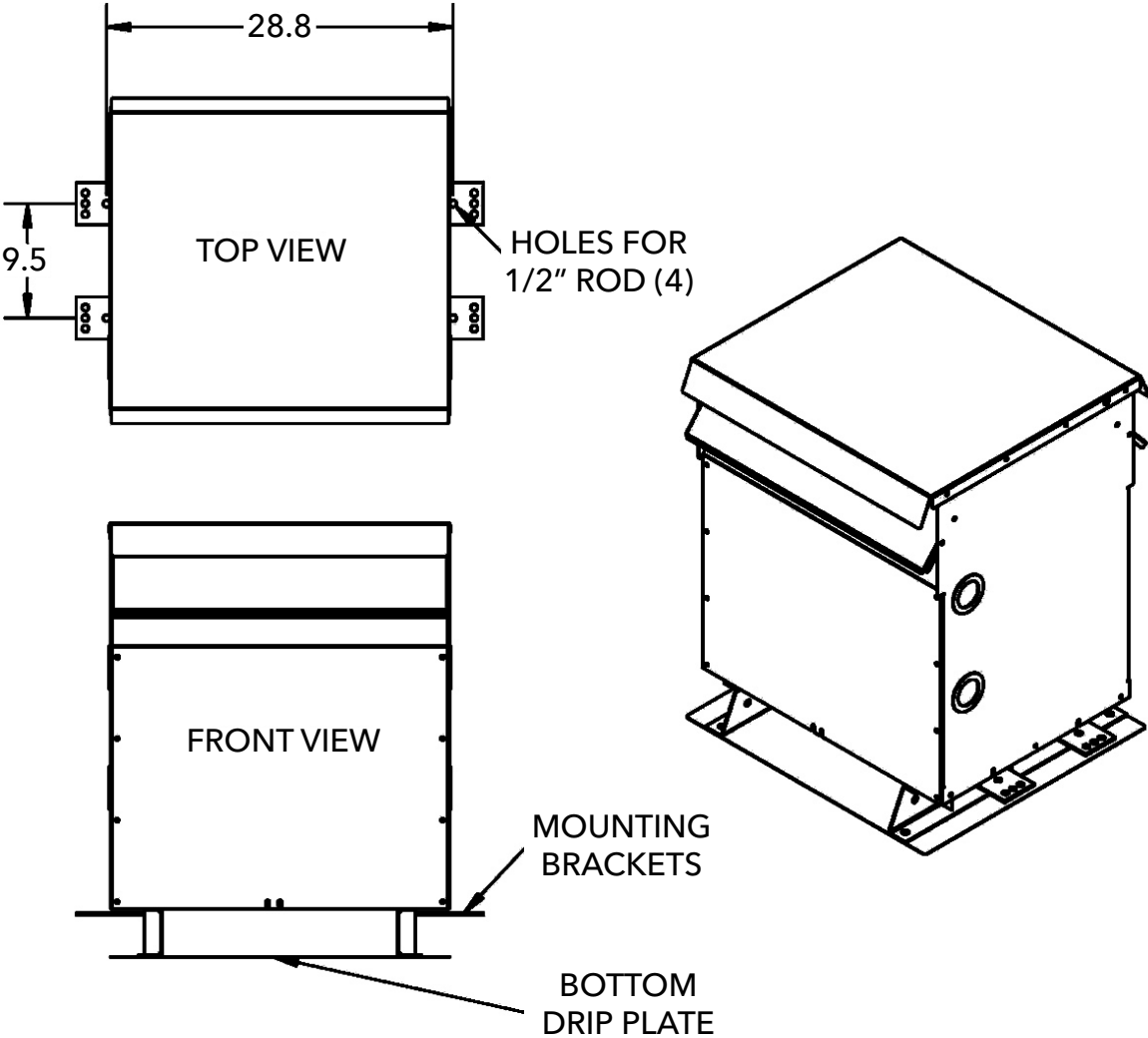


Case Style	Dimensions in Inches											
	A	B	B _I	C	D	E	H	K	L	M	MA	
DH3	28.3	27	22	36	22	3	12	2.00 X 3.00 K.O.	1	26	21.5	24
DH4	31.5	29.5	24.5	44.5	27.5	3	14.5	2.00 X 3.00 K.O.	1	28.5	23.5	26.5

¹ Knockout (K) sizes are actual diameters of knockout, not conduit sizes.

Optional DW3 Wall/Ceiling Kit

P/N 80-002-108 (75 kVA units)



DW₃ Ceiling Mount - Mounting Dimensions for DH₃ Enclosures

208V Primary Schematic Wiring Diagram

SCD 53		SCHEMATIC				CONNECTIONS			
		% Voltage	Primary Volts		Connect lines to	Inter-connect			
		105.0%	218	252	X1, X2, X3	1			
		102.5%	213	246	X1, X2, X3	2			
		100.0%	208	240	X1, X2, X3	3			
		97.5%	203	234	X1, X2, X3	4			
		95.0%	198	228	X1, X2, X3	5			
		92.5%	192	222	X1, X2, X3	6			
		90.0%	187	216	X1, X2, X3	7			
		Secondary Volts		Connect lines to					
		480		H1, H2, H3					
		277		H1,H0 H2,H0 H3,H0					

600V Primary Schematic Wiring Diagram

SCD 19		SCHEMATIC				CONNECTIONS			
		% Voltage	Primary Volts		Connect lines to	Inter-connect			
		105.0%	218	252	504	630	H1, H2, H3	1-2	
		102.5%	213	246	492	615	H1, H2, H3	2-3	
		100.0%	208	240	480	600	H1, H2, H3	3-4	
		97.5%	203	234	468	585	H1, H2, H3	4-5	
		95.0%	198	228	456	570	H1, H2, H3	5-6	
		92.5%	193	222	444	556	H1, H2, H3	6-7	
		90.0%	188	216	432	542	H1, H2, H3	7-8	
		Secondary Volts		Connect lines to					
		208 480		X1, X2, X3					
		120 277		X1, X0 X2, X0 X3, X0					

Xylem Product Cybersecurity

Xylem values your system security and the availability of your critical services. For more information on Xylem cybersecurity practices or to contact the cybersecurity team please visit xylem.com/security.

Xylem |'zīləm|

- 1) The tissue in plants that brings water upward from the roots;
- 2) a leading global water technology company.

We're a global team unified in a common purpose: creating advanced technology solutions to the world's water challenges. Developing new technologies that will improve the way water is used, conserved, and re-used in the future is central to our work. Our products and services move, treat, analyze, monitor and return water to the environment, in public utility, industrial, residential and commercial building services, and agricultural settings. With its October 2016 acquisition of Sensus, Xylem added smart metering, network technologies and advanced data analytics for water, gas and electric utilities to its portfolio of solutions. In more than 150 countries, we have strong, long-standing relationships with customers who know us for our powerful combination of leading product brands and applications expertise with a strong focus on developing comprehensive, sustainable solutions.

For more information on how Xylem can help you, go to www.xylem.com



Xylem Inc.
Phone: (866) 325-4210
Fax: (888) 322-5877
www.xylem.com/goulds

Goulds is a registered trademark of Goulds Pumps, Inc. and is used under license.
© 2020 Xylem Inc. BAFEHVSHL R3 July 2020