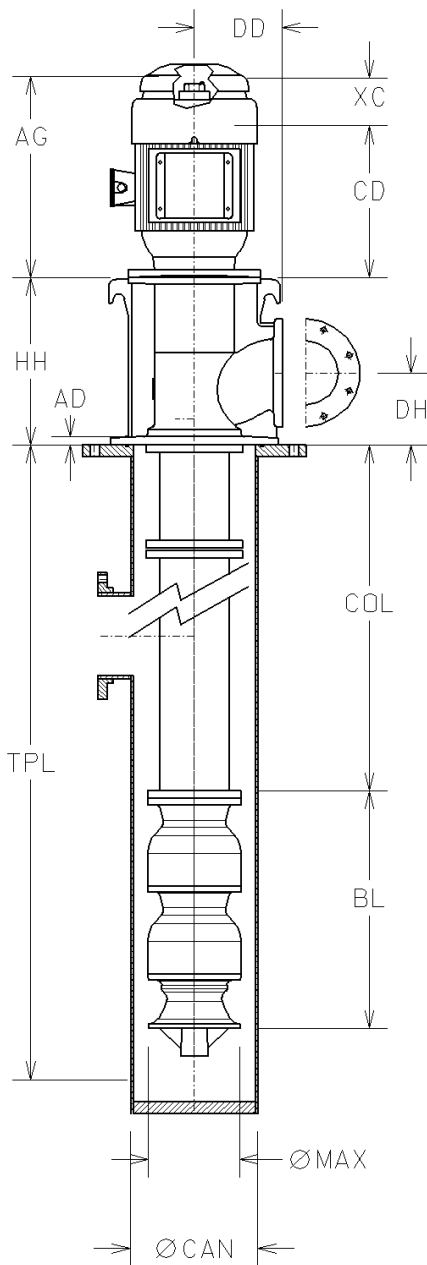


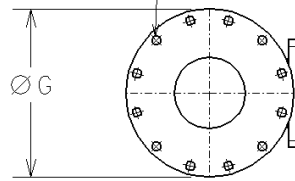
Outline Type "VIC-DLFM" 200.G.06A

U/G SUCTION, "L" DUCTILE IRON HEAD, FLANGED COLUMN



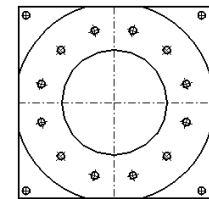
- | | |
|-------------|-------------|
| AD: _____ | K: _____ |
| AG: _____ | MAX: _____ |
| BL: _____ | SL: _____ |
| CAN: _____ | SUCT: _____ |
| CD: _____ | TPL: _____ |
| COL: _____ | UG: _____ |
| DD: _____ | V: _____ |
| DH: _____ | W: _____ |
| DISC: _____ | X: _____ |
| G: _____ | XC: _____ |
| H: _____ | Y: _____ |
| HH: _____ | Z: _____ |
| J: _____ | |

"J" DIA "K" PLCS
EQ SP ON "H" BC



DISC HEAD

"Y" DIA
FOUR PLCS



CAN FLANGE

Quote No.:	_____
Customer:	_____
Customer P/O:	_____
Project:	_____
Item:	_____
Date:	_____
Quantity:	_____
By:	_____

Xylem Inc.

www.gouldswatertechnology.com

Goulds is a registered trademark of Goulds Pumps, Inc. and is used under license.

© 2016 Xylem Inc. D200G06A February 2016

