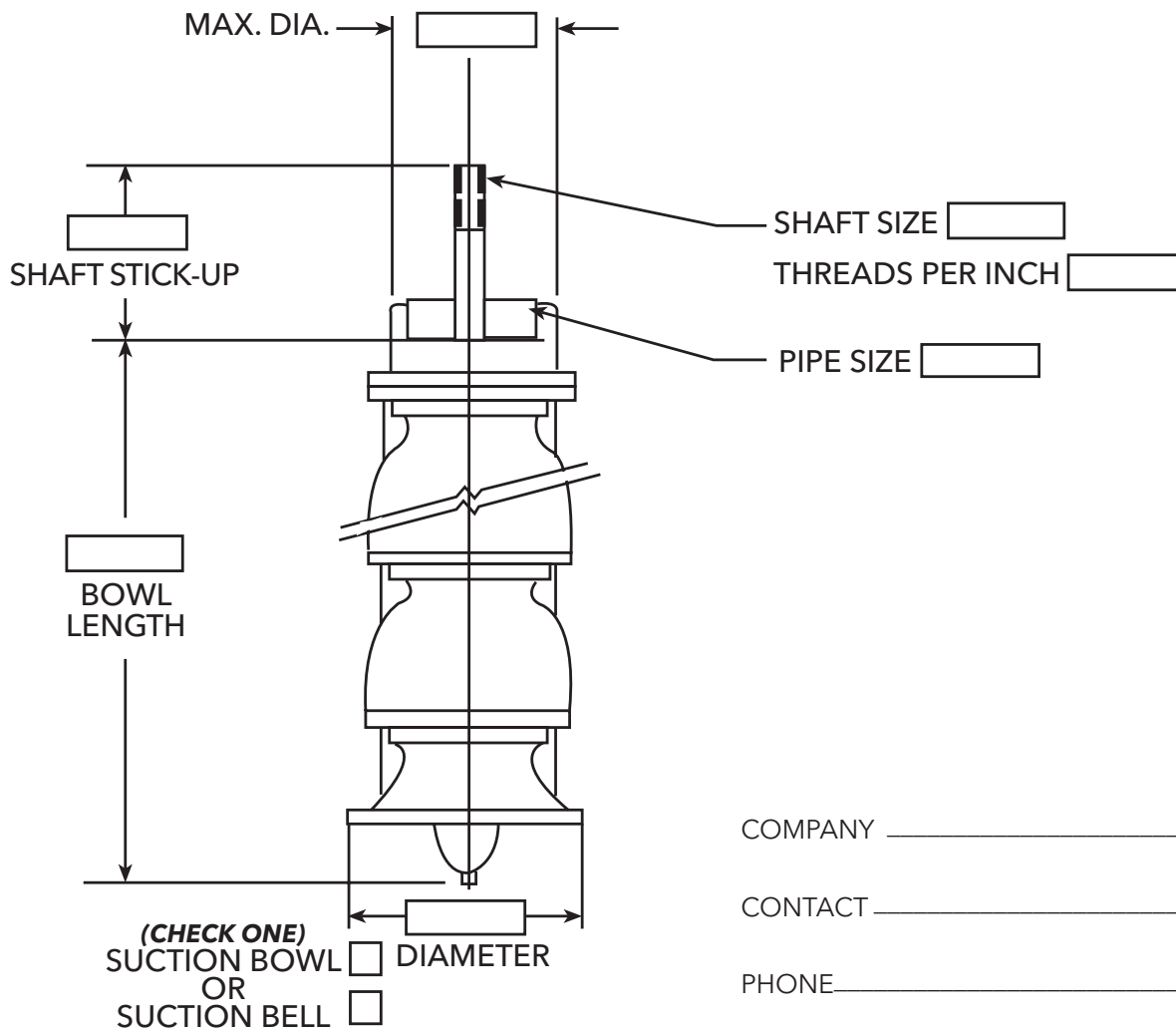


Rebowl with Goulds Water Technology Liquid-Ends Order Form

PRODUCT LUBRICATED-THREADED CONSTRUCTION

Complete the outline below by measuring the competitor's bowl assembly. Mail or fax the completed outline to your local Turbine Distribution Center.



COMPANY _____

CONTACT _____

PHONE _____

FAX _____

NO. OF UNITS

ORIGINAL PUMP MFG.

PUMP MODEL STG'S.

HYDRAULICS

GPM TDH FT.

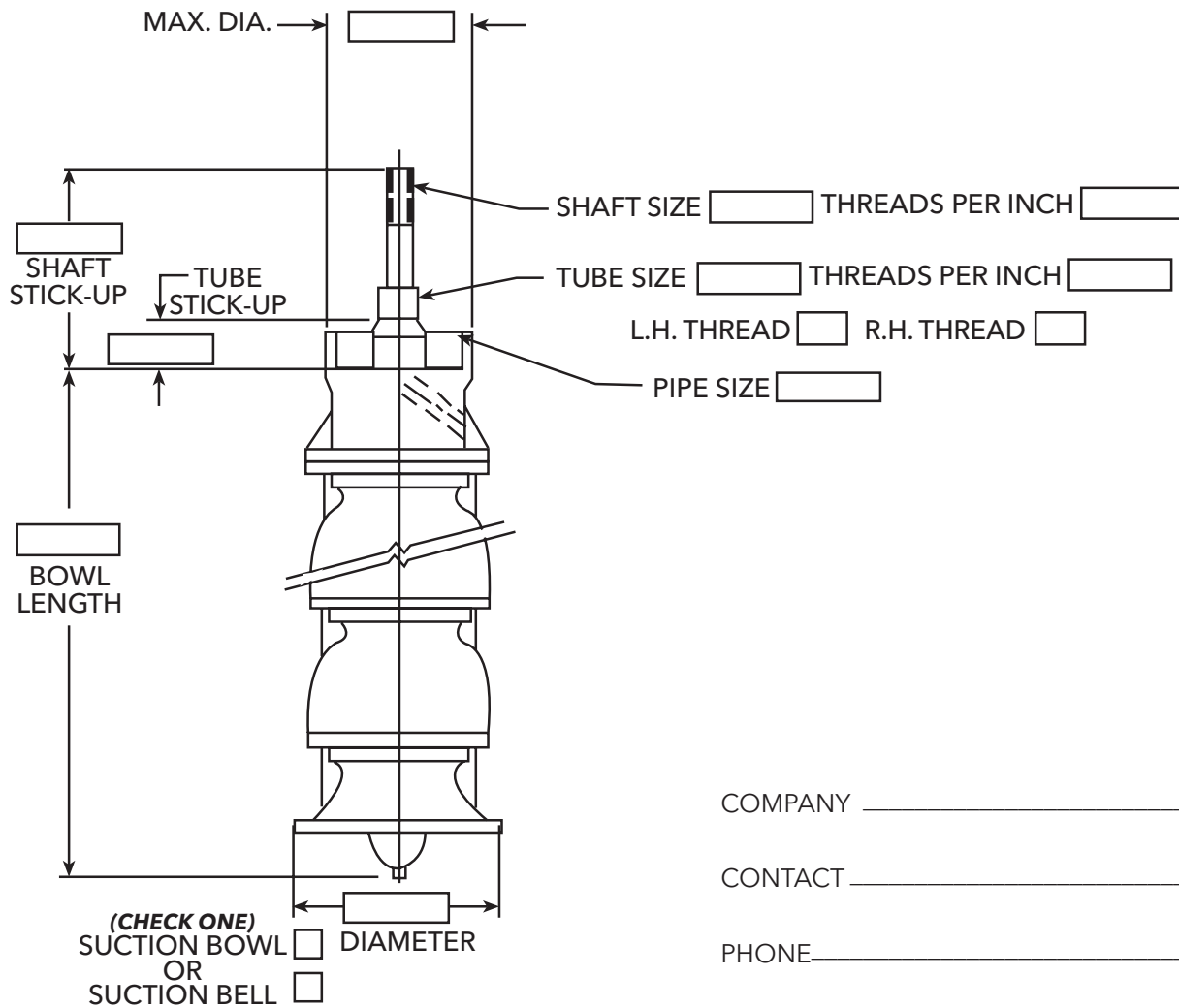
SP. GR. TEMP. °F

LIQUID

Rebowl with Goulds Water Technology Liquid-Ends Order Form

OIL LUBRICATED-THREADED CONSTRUCTION

Complete the outline below by measuring the competitor's bowl assembly. Mail or fax the completed outline to your local Turbine Distribution Center.



COMPANY _____

CONTACT _____

PHONE _____

FAX _____

NO. OF UNITS

ORIGINAL PUMP MFG.

PUMP MODEL STG'S.

HYDRAULICS

GPM TDH FT.

SP. GR. TEMP. °F

LIQUID

Xylem Inc.

www.gouldswatertechnology.com



a xylem brand